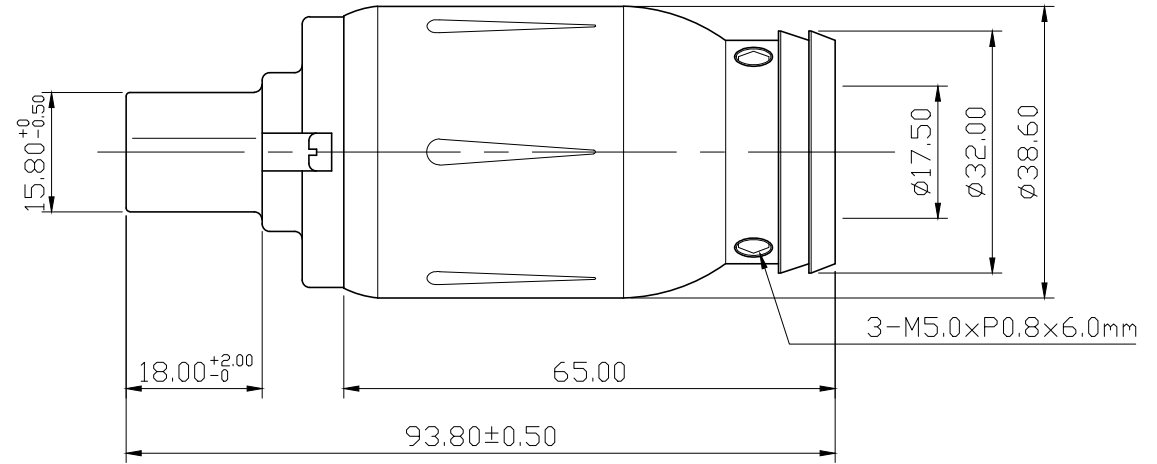
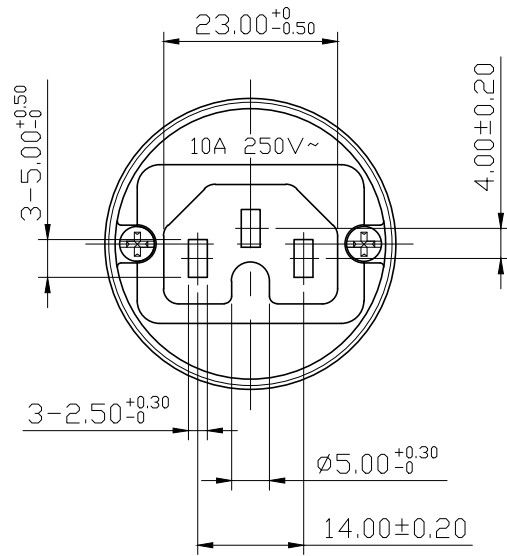



REMARK : RoHS REQUIREMENT APPLIED  
(符合RoHS)



S 1 : 1

NO.	Description	Unit	Materials	Finish	Drawing No.	SCALE	1 : 1	UNIT	MM	DATE	2010. 02. 25	FILE NO.	DRAWING\AUDIO\PC\PC-I302ALG-17.5
-						DIMENSIONS ARE IN MILLIMETERS UNLESS OTHERWISE PECIFIED TOLERANCES (一般公差) 0.5~6 = ±0.2 >6~30 = ±0.4 >30~120 = ±0.6 >120~315 = ±1 >315~1000 = ±1.6 ANGLES(角度) = ±5°				CHECKED		 雅鈦企業有限公司 Aec Connectors Co., Ltd.	
-	gasket	3	POM	black									
-	screw	3	brass	nickel	SCREW-205N-M5XP0.8X6.0mm					DRAWN		DRAWING NO.	
-	shell	1	aluminum	clear anodic treatment						DATE		PC-I302ALG-17.5	
-	contact pin	3	brass	gold						DRAWN		Chad	
-	body	1	plastic	black						DATE		2010. 02. 25	
-										CHECKED			