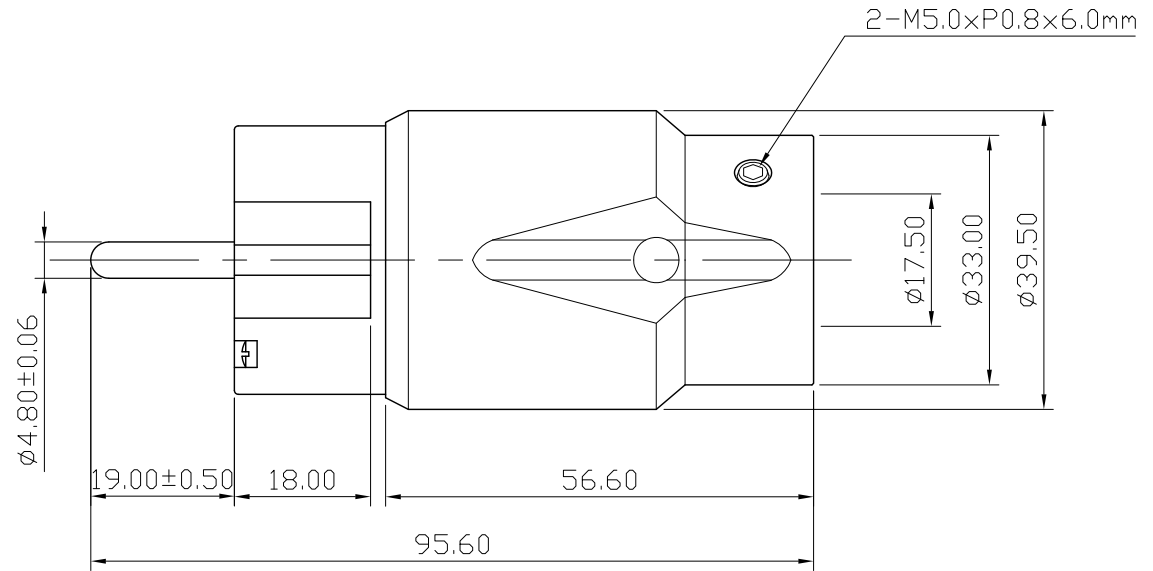
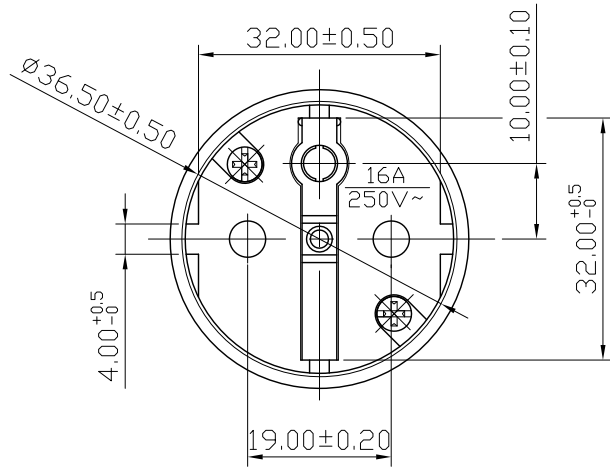



REMARK : RoHS REQUIREMENT APPLIED
(符合RoHS)



S 1 : 1

NO.	Description	Unit	Materials	Finish	Drawing No.	SCALE	1 : 1	UNIT	MM	CHECKED	DATE	FILE NO.			
-						DIMENSIONS ARE IN MILLIMETERS UNLESS OTHERWISE SPECIFIED TOLERANCES (一般公差) 0.5~6 = ±0.2 >6~30 = ±0.4 >30~120 = ±0.6 >120~315 = ±1 >315~1000 = ±1.6 ANGLES(角度) = ±5°									
-	gasket	2	POM	black											
-	screw	2	brass	nickel	SCREW-205N-M5XP0.8X6.0mm										
-	shell	1	aluminum	clear anodic treatment											
-	contact pin	3	brass	nickel											
-	body	1	plastic	black											
-															
											 雅鈦企業有限公司 Aec Connectors Co., Ltd.				
											TITLE	POWER CONNECTOR			
											DRAWING NO.	PC-I103ALN-17.5			
											DATE	2010. 06. 09			
											FILE NO.	DRAWING\AUDIO\PCPC-I103ALN-17.5			