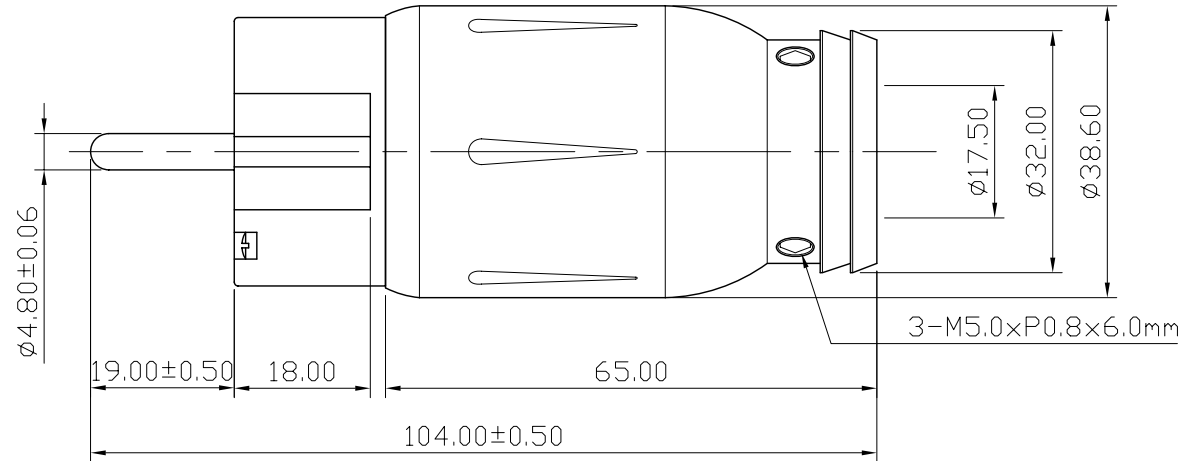
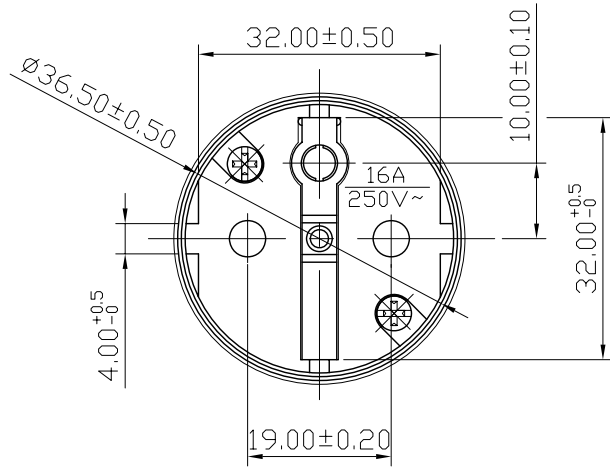


REMARK : RoHS REQUIREMENT APPLIED  
(符合RoHS)



S 1 : 1

NO.	Description	Unit	Materials	Finish	Drawing No.	SCALE	1 : 1	UNIT	MM	CHECKED	DATE	FILE NO.
-						DIMENSIONS ARE IN MILLIMETERS UNLESS OTHERWISE SPECIFIED TOLERANCES (一般公差) 0.5~6 = ±0.2 >6~30 = ±0.4 >30~120 = ±0.6 >120~315 = ±1 >315~1000 = ±1.6 ANGLES(角度) = ±5°						
-												
-	gasket	3	POM	black								
-	screw	3	brass	nickel	SCREW-205N-M5XP0.8X6.0mm							
-	shell	1	aluminum	clear anodic treatment								
-	contact pin	3	brass	nickel								
-	body	1	plastic	black								



雅鈦企業有限公司  
Aec Connectors Co., Ltd.

TITLE	POWER CONNECTOR
DRAWING NO.	PC-I102ALN-17.5
FILE NO.	DRAWING\AUDIO\PC\PC-I102ALN-17.5