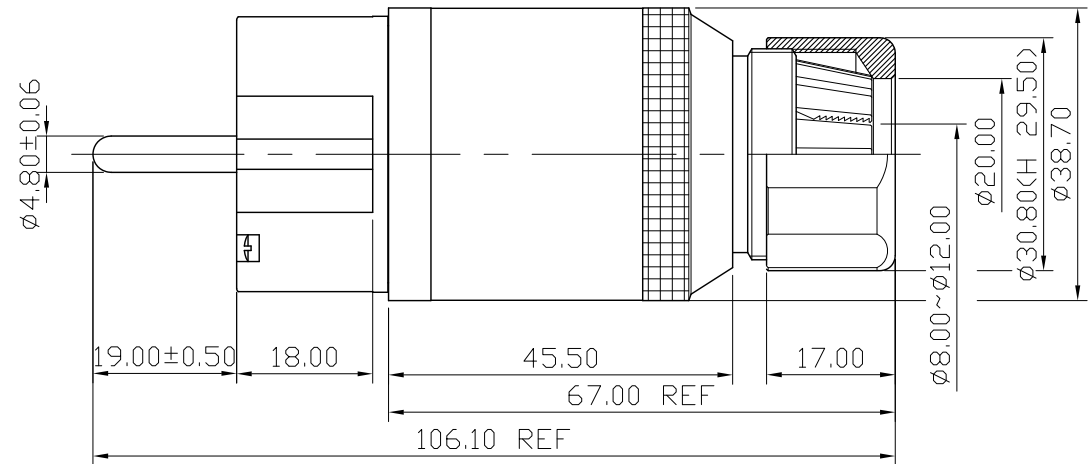
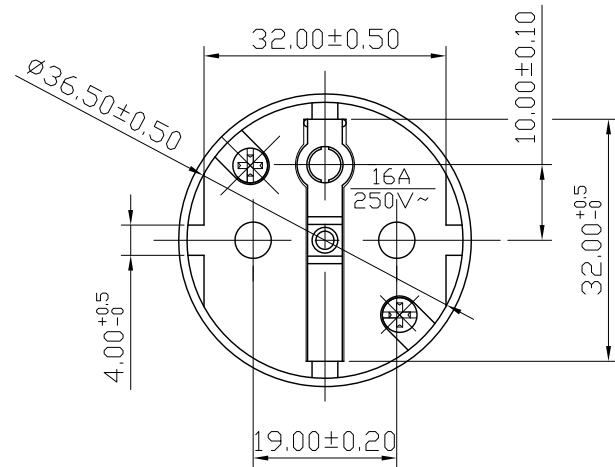


REMARK : RoHS REQUIREMENT APPLIED  
(符合RoHS)



|     |             |      |                    |                        |             |
|-----|-------------|------|--------------------|------------------------|-------------|
| -   | sleeve      | 1    | aluminum           | clear anodic treatment |             |
| -   | clip        | 1    | plastic            | black                  |             |
| -   | clip        | 1    | plastic            | black                  |             |
| -   | ring        | 1    | aluminum           | clear anodic treatment |             |
| -   | shell       | 1    | black carbon fiber | nature                 |             |
| -   | shell       | 1    | aluminum           | clear anodic treatment |             |
| -   | screw       | 2    | iron               | nickel                 |             |
| -   | contact pin | 3    | brass              | nickel                 |             |
| -   | body        | 1    | plastic            | black                  |             |
| NO. | Description | Unit | Materials          | Finish                 | Drawing No. |

BODY-PC-I101N

DIMENSIONS ARE IN  
MILLIMETERS  
UNLESS OTHERWISE SPECIFIED  
TOLERANCES  
(一般公差)  
0.5~6 = ±0.2  
>6~30 = ±0.4  
>30~120 = ±0.6  
>120~315 = ±1  
>315~1000 = ±1.6  
ANGLES(角度) = ±5°

CHECKED

DRAWN

Tina

DATE

2011. 08. 26



雅鈦企業有限公司  
Aec Connectors Co., Ltd.

TITLE

POWER CONNECTOR

DRAWING NO.

PC-I4002ABKFALN

FILE NO. DRAWING\AUDIO\PC\PC-I4002ABKFALN