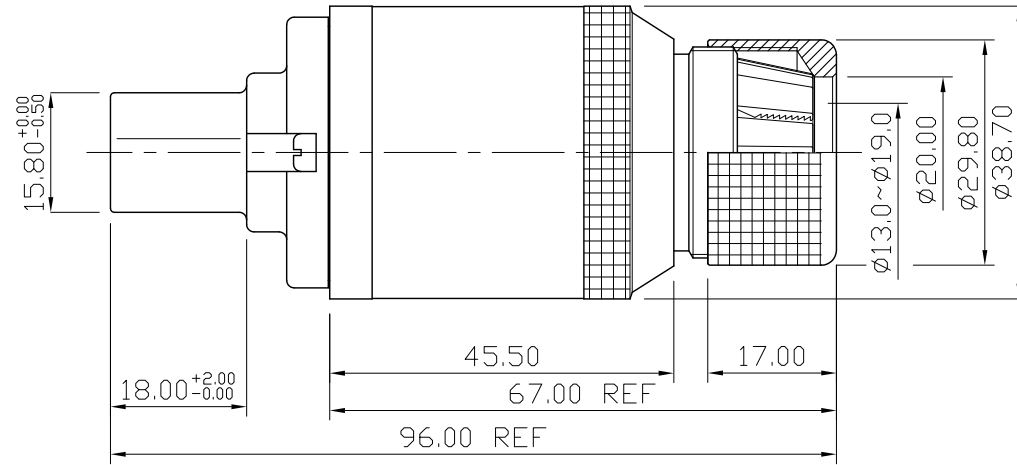
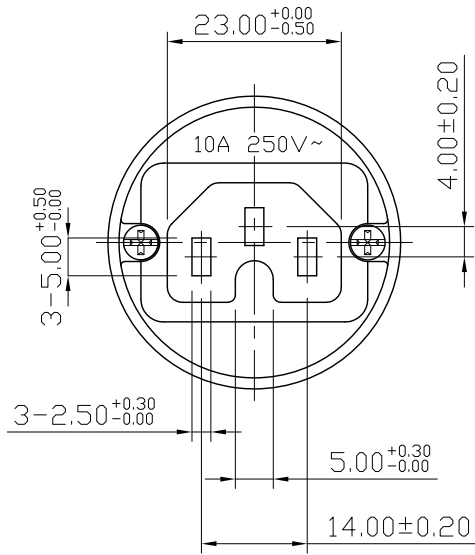


REMARK : RoHS REQUIREMENT APPLIED
(符合RoHS)




| | | | | | |
|-----|-------------|------|--------------------|------------------------|-------------|
| - | sleeve | 1 | aluminum | clear anodic treatment | |
| - | clip | 1 | plastic | black | |
| - | ring | 1 | aluminum | clear anodic treatment | |
| - | shell | 1 | black carbon fiber | nature | |
| - | shell | 1 | aluminum | clear anodic treatment | |
| - | screw | 2 | iron | nickel | |
| - | contact pin | 3 | brass | nickel | |
| - | body | 1 | plastic | black | |
| NO. | Description | Unit | Materials | Finish | Drawing No. |

DIMENSIONS ARE IN MILLIMETERS
UNLESS OTHERWISE SPECIFIED
TOLERANCES
(一般公差)
0.5~6 = ±0.2
>6~30 = ±0.4
>30~120 = ±0.6
>120~315 = ±1
>315~1000 = ±1.6
ANGLES(角度) = ±5°

CHECKED

DRAWN
Jim
DATE
2011. 08. 25

 雅鈦企業有限公司
Aec Connectors Co., Ltd.

TITLE
POWER CONNECTOR

DRAWING NO.
PC-I4101BBKFALN

FILE NO. DRAWING\AUDIO\PC\PC-I4101BBKFALN