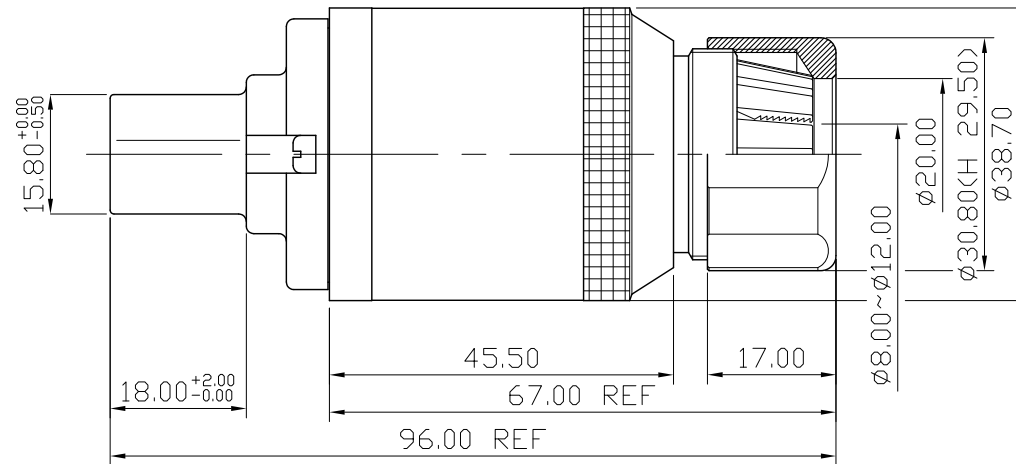
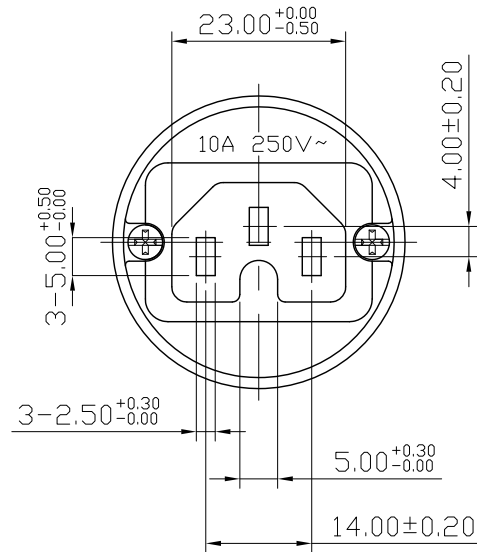


REMARK : RoHS REQUIREMENT APPLIED
(符合RoHS)



-	sleeve	1	aluminum	clear anodic treatment	
-	clip	1	plastic	black	
-	clip	1	plastic	black	
-	ring	1	aluminum	clear anodic treatment	
-	shell	1	black carbon fiber	nature	
-	shell	1	aluminum	clear anodic treatment	
-	screw	2	iron	nickel	BODY-PC-I301N
-	contact pin	3	brass	nickel	
-	body	1	plastic	black	
NO.	Description	Unit	Materials	Finish	Drawing No.

DIMENSIONS ARE IN
MILLIMETERS

UNLESS OTHERWISE SPECIFIED
TOLERANCES
(一般公差)
0.5~6 = ±0.2
>6~30 = ±0.4
>30~120 = ±0.6
>120~315 = ±1
>315~1000 = ±1.6
ANGLES(角度) = ±5°

SCALE 1 : 1 UNIT MM

CHECKED

DRAWN
Jim

DATE
2011. 08. 26



雅鈦企業有限公司
Aec Connectors Co., Ltd.

TITLE
POWER CONNECTOR

DRAWING NO.
PC-I4102ABKFALN

FILE NO.
DRAWING\AUDIO\PC\PC-I4102ABKFALN