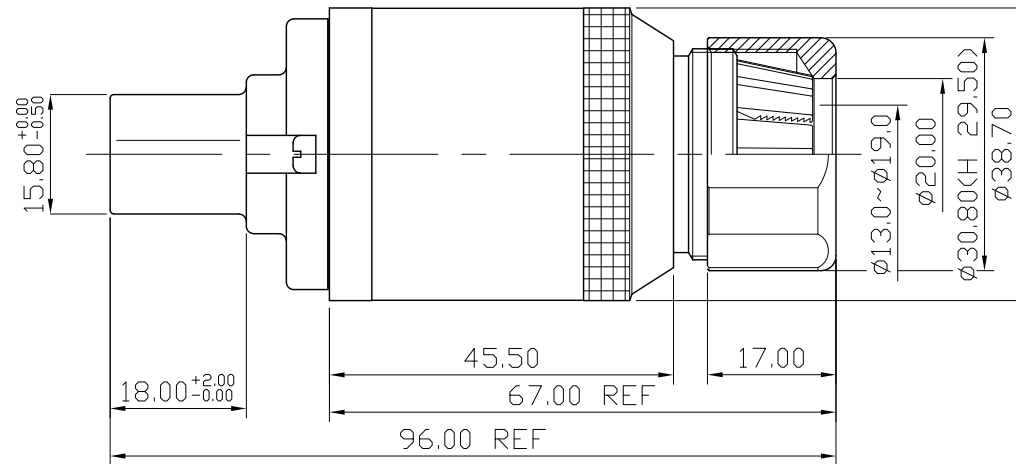
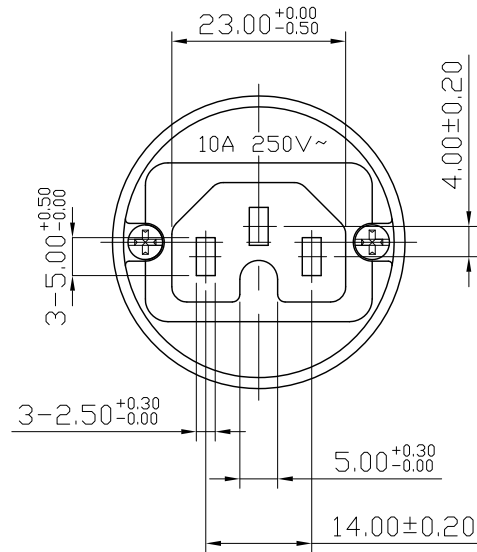



REMARK : RoHS REQUIREMENT APPLIED  
(符合RoHS)



-	sleeve	1	aluminum	clear anodic treatment	
-	clip	1	plastic	black	
-	ring	1	aluminum	clear anodic treatment	
-	shell	1	black carbon fiber	nature	
-	shell	1	aluminum	clear anodic treatment	
-	screw	2	iron	nickel	BODY-PC-I301N
-	contact pin	3	brass	nickel	
-	body	1	plastic	black	
NO.	Description	Unit	Materials	Finish	Drawing No.

DIMENSIONS ARE IN MILLIMETERS			
UNLESS OTHERWISE SPECIFIED TOLERANCES (一般公差)			
0.5~6	= ±0.2		
>6~30	= ±0.4		
>30~120	= ±0.6		
>120~315	= ±1		
>315~1000	= ±1.6		
ANGLES(角度) = ±5°			
SCALE	1 : 1	UNIT	MM

CHECKED
DRAWN <i>Jim</i>
DATE 2011. 09. 08


**雅鈦企業有限公司**  
 Aec Connectors Co., Ltd.

TITLE  
**POWER CONNECTOR**

DRAWING NO.  
**PC-I4102BBKFALN**

FILE NO. DRAWING\AUDIO\PC\PC-I4102BBKFALN