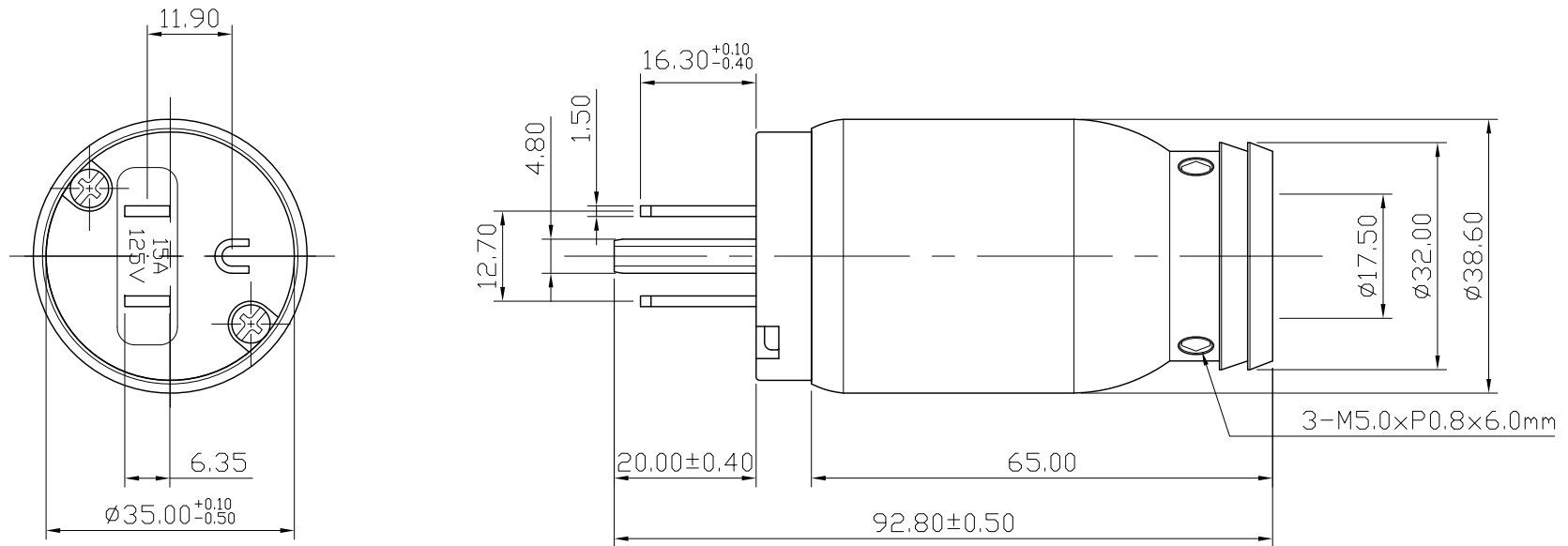



REMARK : RoHS REQUIREMENT APPLIED
(符合RoHS)



-					DIMENSIONS ARE IN MILLIMETERS UNLESS OTHERWISE SPECIFIED TOLERANCES (一般公差) 0.5~6 = ± 0.2 >6~30 = ± 0.4 >30~120 = ± 0.6 >120~315 = ± 1 >315~1000 = ± 1.6 ANGLES(角度) = $\pm 5^\circ$	CHECKED	 雅鈦企業有限公司 Aec Connectors Co., Ltd.		
-	gasket	3	POM	black		DRAWN <i>Jim</i>		TITLE POWER CONNECTOR	
-	screw	3	brass	nickel				DATE 2013. 05. 24	DRAWING NO. PC-U101ALN-17.5
-	shell	1	aluminum	clear anodic treatment		BODY-PC-U101N	FILE NO. DRAWING\AUDIO\PC\PC-U101ALN-17.5		
-	screw	2	iron	nickel					
-	contact pin	3	brass	nickel					
-	body	1	plastic	black					
NO.	Description	Unit	Materials	Finish	Drawing No.	SCALE	1 : 1	UNIT	MM