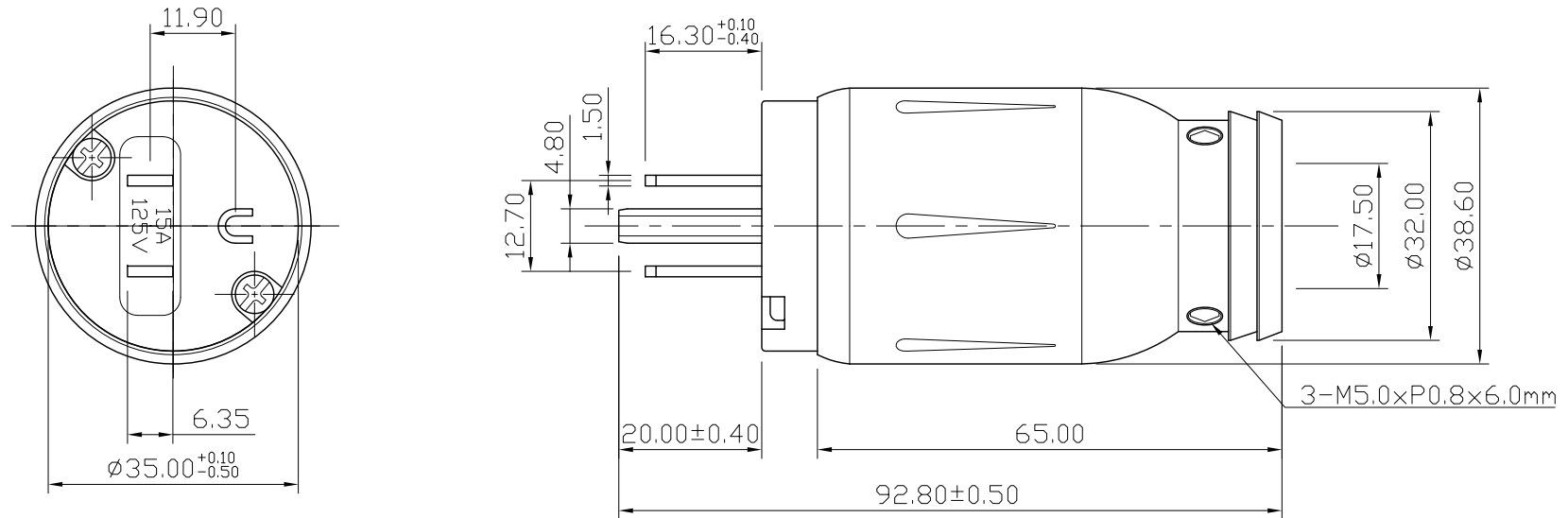


REMARK : RoHS REQUIREMENT APPLIED  
(符合RoHS)



NO.	Description	Unit	Materials	Finish	Drawing No.	SCALE	1 : 1	UNIT	MM	CHECKED	DATE	FILE NO.
-						DIMENSIONS ARE IN MILLIMETERS				Sun	2015. 01. 29	DRAWING\AUDIO\PC\PC-U102ALN-17.5
-	gasket	3	POM	black		UNLESS OTHERWISE PECIFIED TOLERANCES (一般公差)						
-	screw	3	brass	nickel	SCREW-205N-M5XP0.8X6.0mm	0.5~6 = $\pm 0.2$						
-	shell	1	aluminum	clear anodic treatment		>6~30 = $\pm 0.4$						
-	screw	2	brass	nickel		>30~120 = $\pm 0.6$						
-	contact pin	3	brass	nickel	BODY-PC-U101N	>120~315 = $\pm 1$						
-	body	1	plastic	black		>315~1000 = $\pm 1.6$						
						ANGLES(角度) = $\pm 5^\circ$						
											TITLE	POWER CONNECTOR
											DRAWING NO.	PC-U102ALN-17.5



雅鈦企業有限公司  
Aec Connectors Co., Ltd.