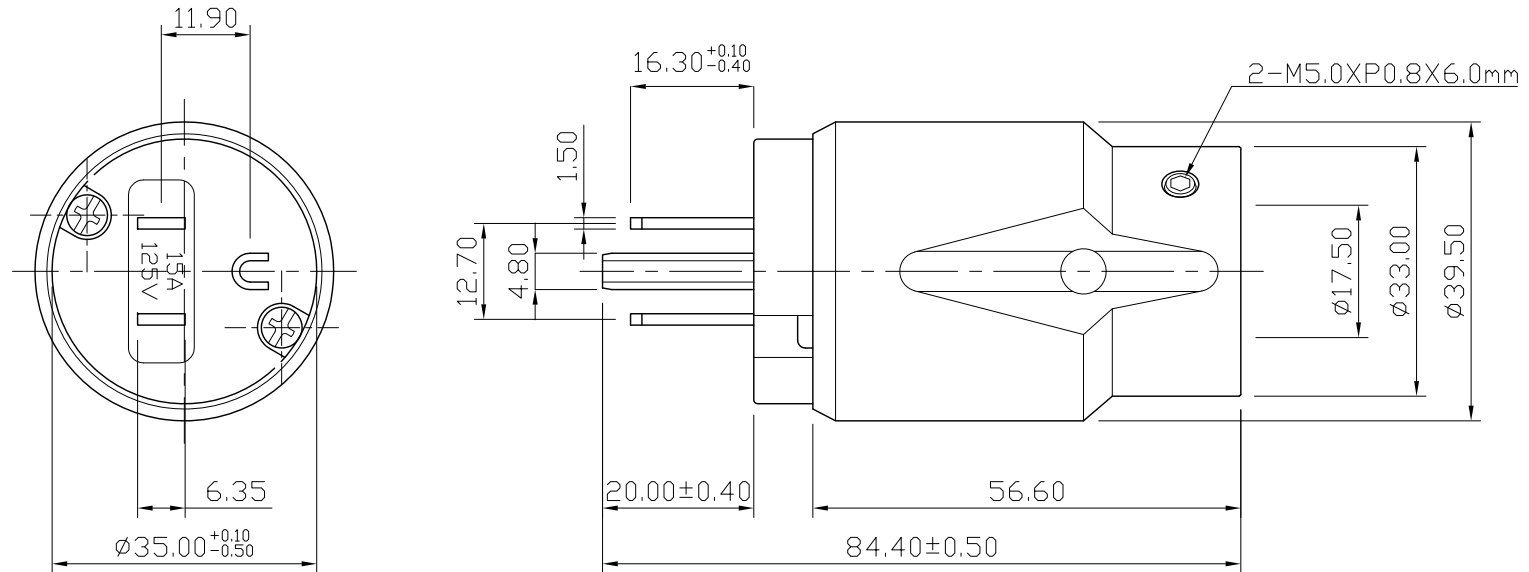



REMARK : RoHS REQUIREMENT APPLIED  
(符合RoHS)



-						DIMENSIONS ARE IN MILLIMETERS  UNLESS OTHERWISE PECIFIED TOLERANCES (一般公差) 0.5~6 = $\pm 0.2$ >6~30 = $\pm 0.4$ >30~120 = $\pm 0.6$ >120~315 = $\pm 1$ >315~1000 = $\pm 1.6$ ANGLES(角度) = $\pm 5^\circ$	CHECKED	 <b>雅鈦企業有限公司</b> Aec Connectors Co., Ltd.			
-	screw	2	iron	nickel							
-	gasket	2	POM	black					TITLE	POWER CONNECTOR	
-	screw	2	brass	nickel	SCREW-205N-M5XP0.8X6.0mm				DRAWN		
-	shell	1	aluminum	clear anodic treatment					<i>Jim</i>	DRAWING NO.	PC-U103ALN-17.5
-	contact pin	3	brass	nickel					DATE	FILE NO.	DRAWING\AUDIO\PC\PC-U103ALN-17.5
-	body	1	plastic	black					2012. 02. 16		
NO.	Description	Unit	Materials	Finish	Drawing No.	SCALE	1 : 1	UNIT	MM		