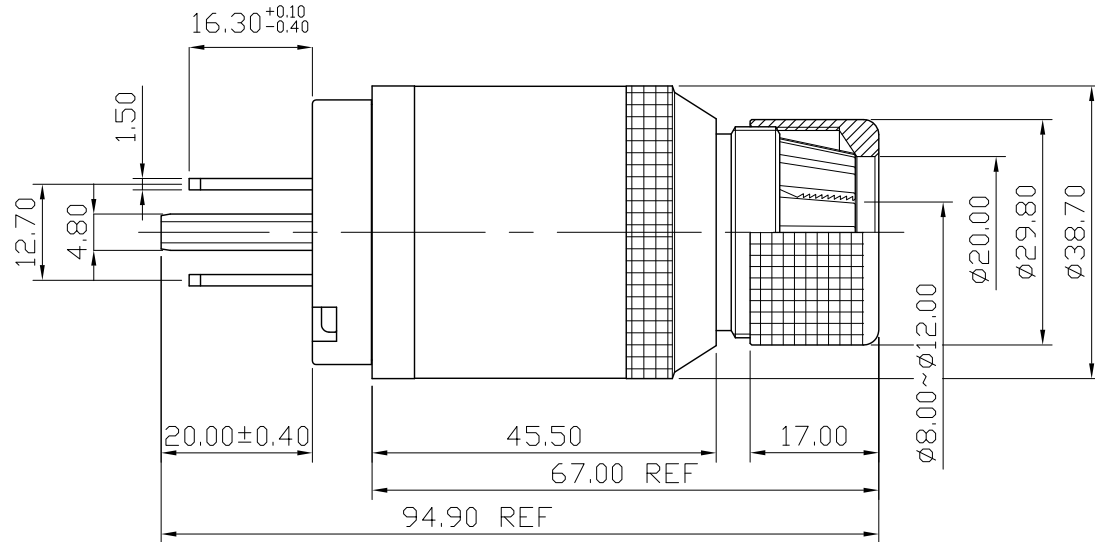
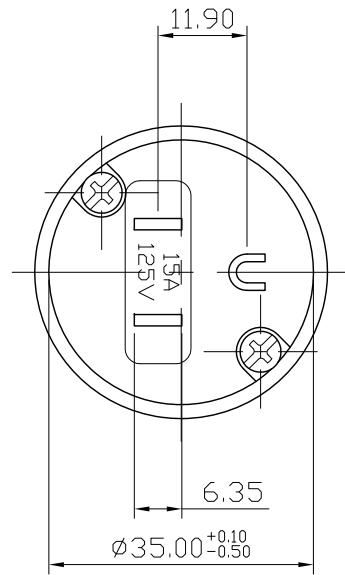



REMARK : RoHS REQUIREMENT APPLIED  
(符合RoHS)



-	sleeve	1	aluminum	clear anodic treatment	
-	clip	1	plastic	black	
-	clip	1	plastic	black	
-	ring	1	aluminum	clear anodic treatment	
-	shell	1	black carbon fiber	nature	
-	shell	1	aluminum	clear anodic treatment	
-	screw	2	iron	nickel	
-	contact pin	3	brass	nickel	
-	body	1	plastic	black	
NO.	Description	Unit	Materials	Finish	Drawing No.

DIMENSIONS ARE IN MILLIMETERS  
UNLESS OTHERWISE SPECIFIED TOLERANCES (一般公差)  
0.5~6 =  $\pm 0.2$   
>6~30 =  $\pm 0.4$   
>30~120 =  $\pm 0.6$   
>120~315 =  $\pm 1$   
>315~1000 =  $\pm 1.6$   
ANGLES(角度) =  $\pm 5^\circ$

CHECKED  
DRAWN  
*Jim*  
DATE  
2011. 07. 26

 雅鈦企業有限公司  
Aec Connectors Co., Ltd.

TITLE  
POWER CONNECTOR

DRAWING NO.  
PC-U4003ABKFALN

FILE NO.  
DRAWING\AUDIO\PC\PC-U4003ABKFALN

BODY-PC-U101N

SCALE 1 : 1 UNIT MM