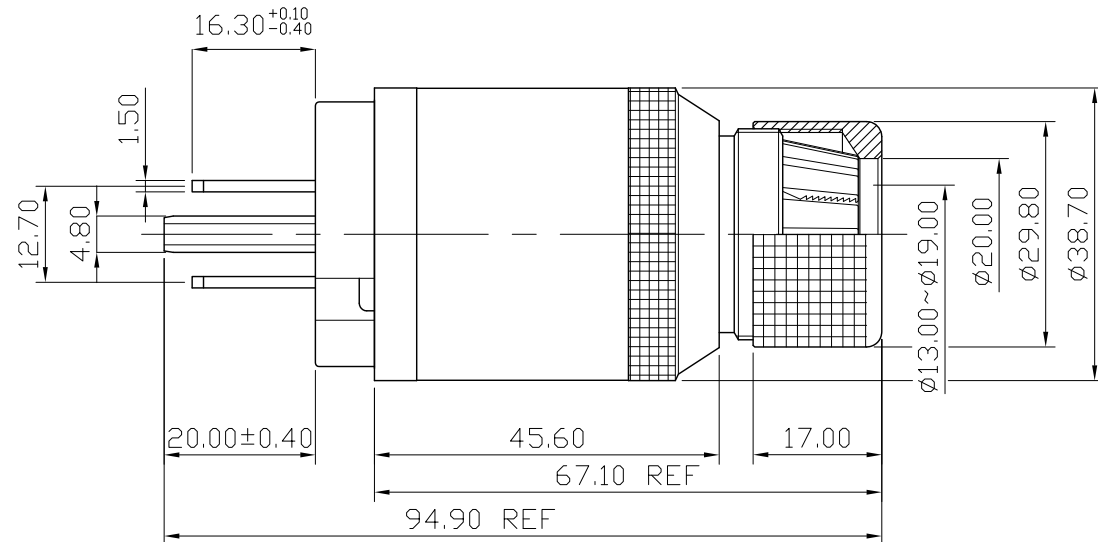
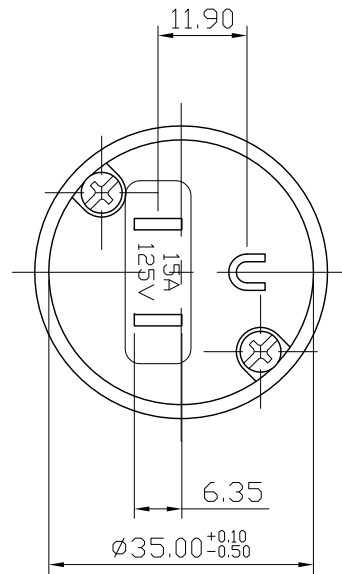


REMARK : RoHS REQUIREMENT APPLIED
(符合RoHS)



-	sleeve	1	aluminum	clear anodic treatment	
-	clip	1	plastic	black	
-	ring	1	aluminum	clear anodic treatment	
-	shell	1	black carbon fiber	nature	
-	shell	1	aluminum	clear anodic treatment	
-	screw	2	iron	nickel	BODY-PC-U101N
-	contact pin	3	brass	nickel	
-	body	1	plastic	black	
NO.	Description	Unit	Materials	Finish	Drawing No.

DIMENSIONS ARE IN
MILLIMETERS
UNLESS OTHERWISE SPECIFIED
TOLERANCES
(一般公差)
0.5~6 = ± 0.2
>6~30 = ± 0.4
>30~120 = ± 0.6
>120~315 = ± 1
>315~1000 = ± 1.6
ANGLES(角度) = $\pm 5^\circ$

CHECKED

DRAWN

Jim

DATE

2011. 09. 26



雅鈦企業有限公司
Aec Connectors Co., Ltd.

TITLE

POWER CONNECTOR

DRAWING NO.

PC-U4003BBKFALN

FILE NO.

DRAWING\AUDIO\PC\PC-U4003BBKFALN

SCALE 1 : 1 UNIT MM