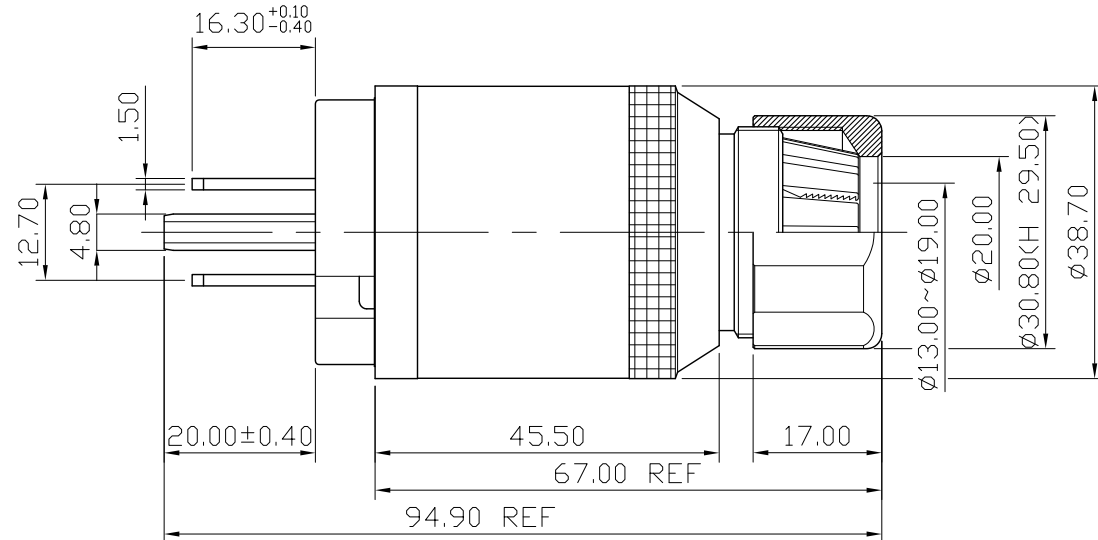
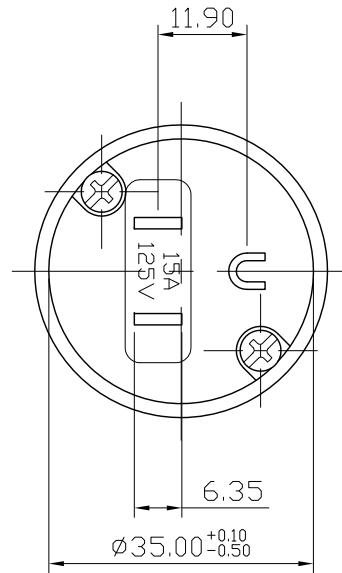



REMARK : RoHS REQUIREMENT APPLIED
(符合RoHS)



-	sleeve	1	aluminum	clear anodic treatment														
-	clip	1	plastic	black														
-	ring	1	aluminum	clear anodic treatment														
-	shell	1	black carbon fiber	nature														
-	shell	1	aluminum	clear anodic treatment														
-	screw	2	iron	nickel														
-	contact pin	3	brass	nickel														
-	body	1	plastic	black														
NO.	Description	Unit	Materials	Finish	Drawing No.	SCALE	1 : 1	UNIT	MM	DATE	2011. 09. 26							
											DIMENSIONS ARE IN MILLIMETERS	CHECKED	 雅鈦企業有限公司 Aec Connectors Co., Ltd.					
											UNLESS OTHERWISE SPECIFIED TOLERANCES (一般公差)	DRAWN						
											0.5~6 = ±0.2	<i>Jim</i>						
											>6~30 = ±0.4							
											>30~120 = ±0.6		TITLE	POWER CONNECTOR				
											>120~315 = ±1		DRAWING NO.	PC-U4004BBKFALN				
											>315~1000 = ±1.6		FILE NO.	DRAWING\AUDIO\PC\PC-U4004BBKFALN				
											ANGLES(角度) = ±5°							