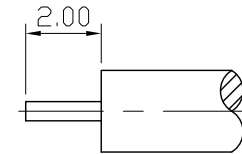
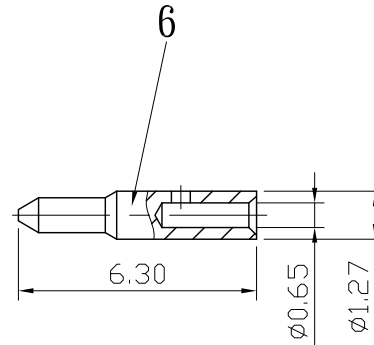
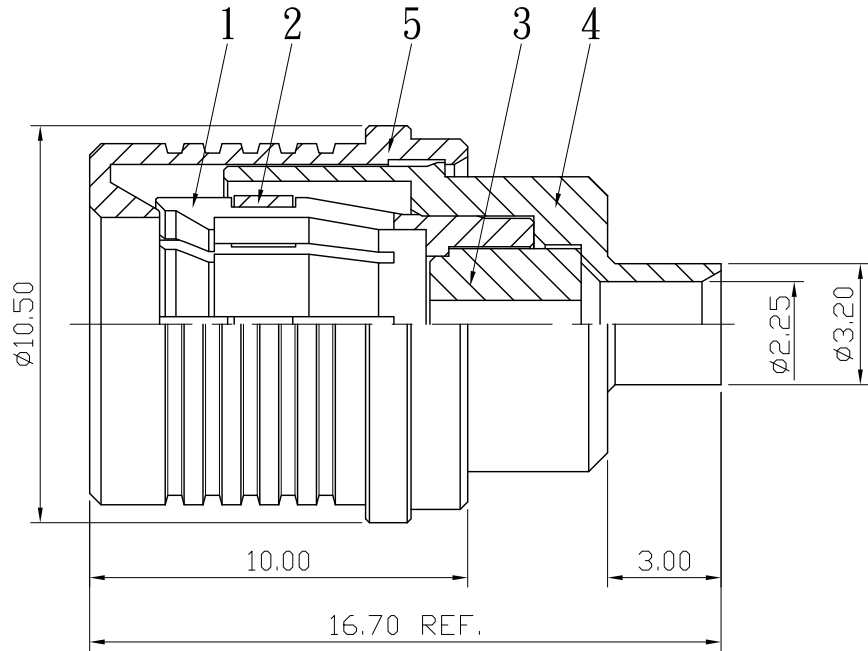
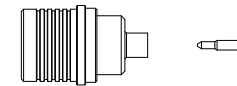



No.	DATE	DESCRIPTION	REV	REMARK : RoHS REQUIREMENT APPLIED (符合RoHS)	DATE	DRAWING NO.
-----	------	-------------	-----	---	------	-------------



RECOMMENDED CABLE STRIPPING DIM'S
(建議剝線尺寸)



S 1 : 1

7						DIMENSIONS ARE IN MILLIMETERS UNLESS OTHERWISE SPECIFIED TOLERANCES (一般公差) 0.5~6 = ±0.2 >6~30 = ±0.4 >30~120 = ±0.6 >120~315 = ±1 >315~1000 = ±1.6 ANGLES(角度) = ±5°	CHECKED	 雅鈦企業有限公司 Aec Connectors Co., Ltd.	
6	contact pin	1	brass	gold	QA03BR001A		DRAWN		TITLE
5	shell	1	brass	nickel	QA05BR001A		<i>Ada</i>	QMA STR PLUG SOLDER FOR .085	
4	body	1	brass	gold	QA01BR002A			DRAWING NO.	
3	insulator	1	PTFE	white	QA02TF001A		DATE	QA-1002NTG-SF1515A	
2	ring	1	phosphor bronze	nickel	OT14PB001A		2012. 07. 17	FILE NO. DRAWING\RF\QA\QA-1002NTG-SF1515A	
1	body	1	brass	nickel	QA01BR001A				
NO.	Description	Unit	Materials	Finish	Drawing No.	SCALE	5 : 1	UNIT	MM