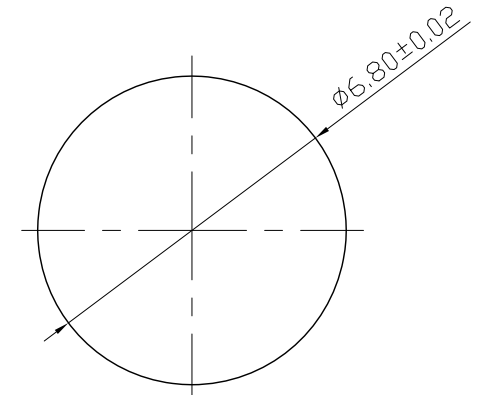
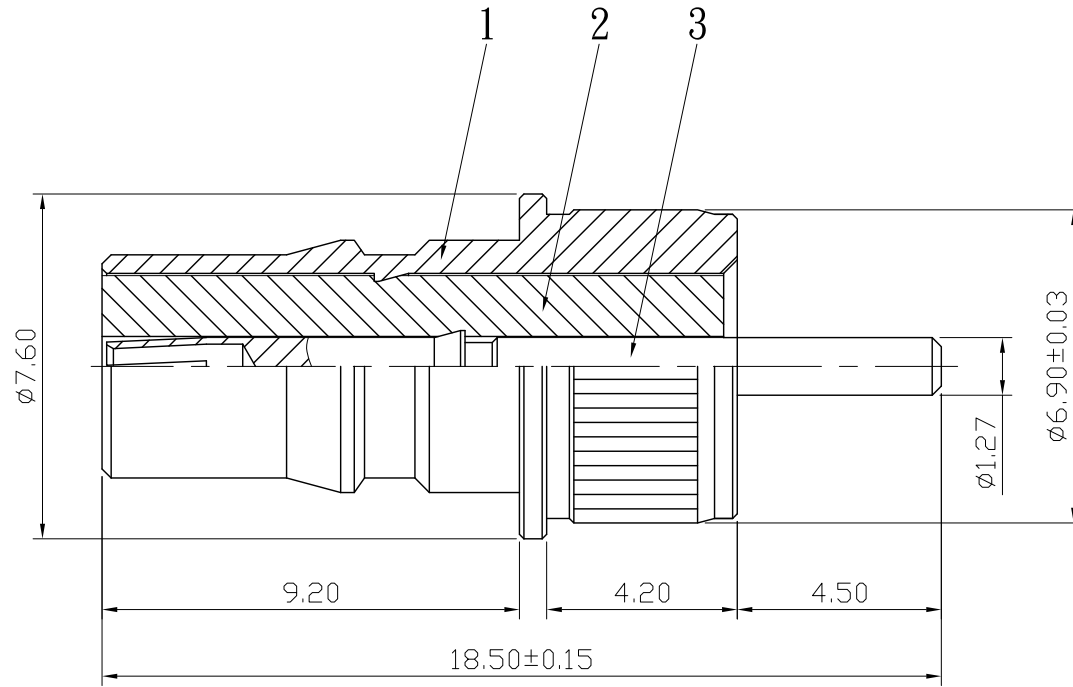
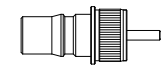



No.	DATE	DESCRIPTION	REV	REMARK : RoHS REQUIREMENT APPLIED (符合RoHS)	DATE	DRAWING NO.
-----	------	-------------	-----	---	------	-------------



RECOMMENDED MOUNTING HOLE
(建議架設孔)



S 1 : 1

7						DIMENSIONS ARE IN MILLIMETERS UNLESS OTHERWISE PECIFIED TOLERANCES (一般公差) 0.5~6 = ±0.2 >6~30 = ±0.4 >30~120 = ±0.6 >120~315 = ±1 >315~1000 = ±1.6 ANGLES(角度) = ±5°	CHECKED	 雅鈦企業有限公司 Aec Connectors Co., Ltd.	
6					DRAWN <i>Ada</i>				TITLE QMA STR JACK RECEPTACLE
5							DATE 2012. 07. 11		DRAWING NO. QA-1003GTG-SK0025A
4							FILE NO. DRAWING\RF\QA\QA-1003GTG-SK0025A		
3	contact pin	1	beryllium copper	gold	SA03BE015A				
2	insulator	1	PTFE	white	SA02TF015A				
1	body	1	brass	gold	QA01BR003A				
NO.	Description	Unit	Materials	Finish	Drawing No.	SCALE	6 : 1	UNIT	MM