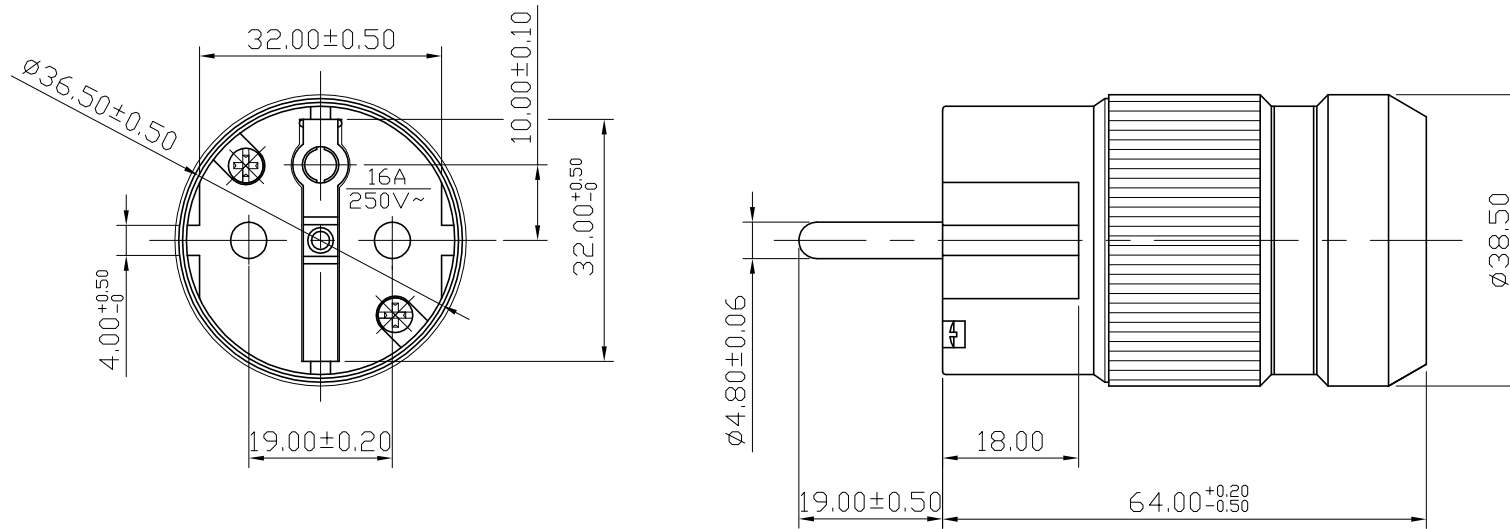



No.	DATE	DESCRIPTION	REV	REMARK : RoHS REQUIREMENT APPLIED (符合RoHS)	DATE	DRAWING NO.
-----	------	-------------	-----	---	------	-------------



-						DIMENSIONS ARE IN MILLIMETERS UNLESS OTHERWISE PECIFIED TOLERANCES (一般公差) 0.5~6 = ± 0.2 >6~30 = ± 0.4 >30~120 = ± 0.6 >120~315 = ± 1 >315~1000 = ± 1.6 ANGLES(角度) = $\pm 5^\circ$	CHECKED	 雅鈦企業有限公司 Aec Connectors Co., Ltd.
-	shell	1	plastic	transparent				
-	contact pin	2	brass	nickel			<i>Jim</i>	SPECIAL PURPOSE CONNCECTOR
-	body	1	plastic	black			DATE	DRAWING NO.
	NO.	Description	Unit	Materials	Finish		2009. 05. 06	SPC-151PLBKN
					Drawing No.		FILE NO.	DRAWINGARFSPCSPC-151PLBKN