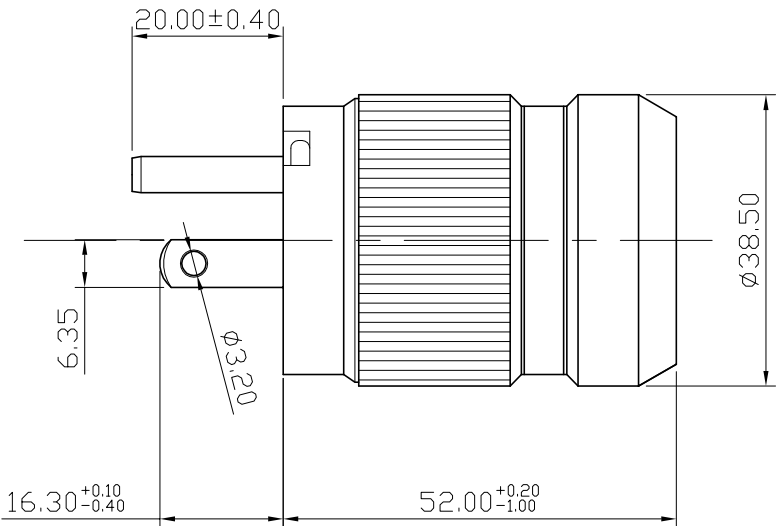
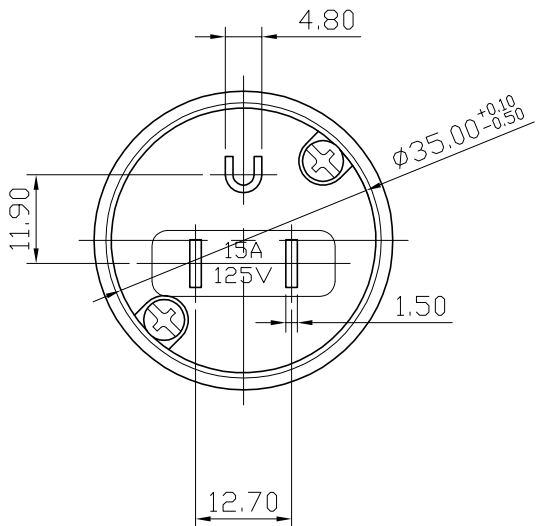



REMARK : RoHS REQUIREMENT APPLIED
(符合RoHS)



-						DIMENSIONS ARE IN MILLIMETERS UNLESS OTHERWISE PECIFIED TOLERANCES (一般公差) 0.5~6 = ± 0.2 >6~30 = ± 0.4 >30~120 = ± 0.6 >120~315 = ± 1 >315~1000 = ± 1.6 ANGLES(角度) = $\pm 5^\circ$	CHECKED	 雅鈦企業有限公司 Aec Connectors Co., Ltd.
-	shell	1	plastic	transparent			DRAWN	
-	contact pin	3	brass	nickel			<i>Otis</i>	SPECIAL PURPOSE CONNCECTOR
-	body	1	plastic	black			DATE	DRAWING NO.
NO.	Description	Unit	Materials	Finish	Drawing No.	SCALE	2010. 08. 13	FILE NO.
						1 : 1		DRAWINGRFSPCSPC-152PLBKN