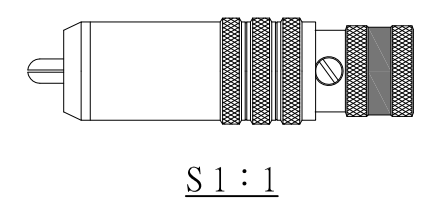
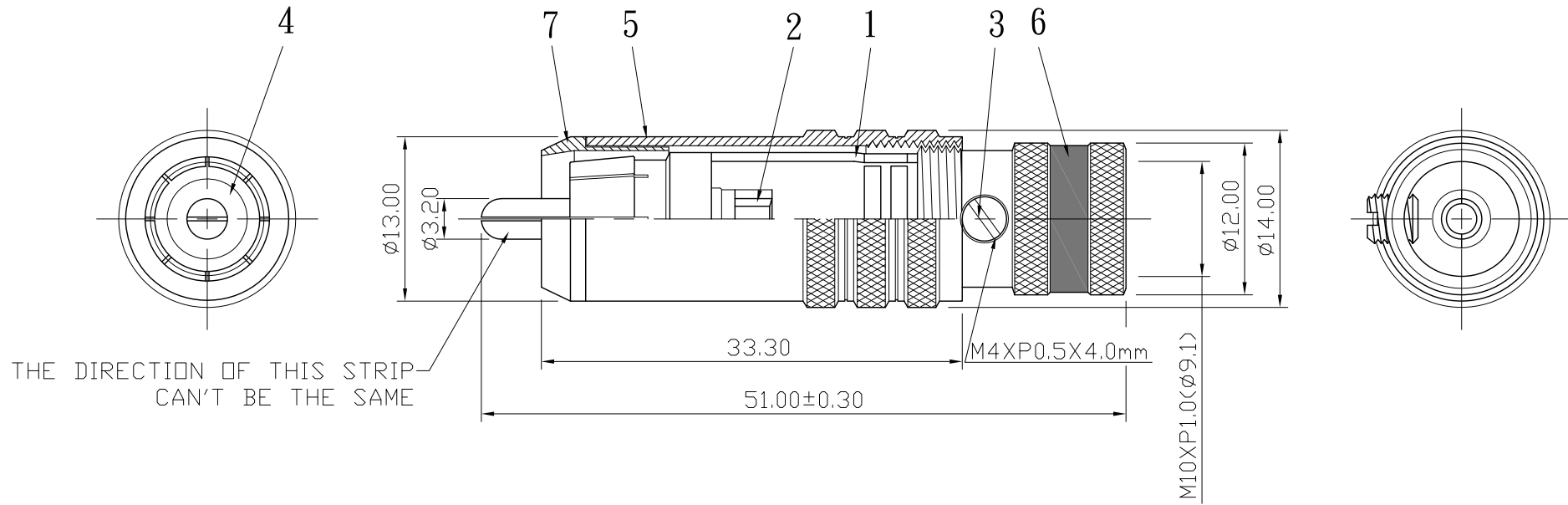



REMARK : RoHS REQUIREMENT APPLIED
(符合RoHS)



7	shell	1	brass	zinc alloy		DIMENSIONS ARE IN MILLIMETERS UNLESS OTHERWISE SPECIFIED TOLERANCES (一般公差) 0.5~6 = ±0.2 >6~30 = ±0.4 >30~120 = ±0.6 >120~315 = ±1 >315~1000 = ±1.6 ANGLES(角度) = ±5°	CHECKED	 雅鈦企業有限公司 Aec Connectors Co., Ltd.	
6	color ring	1	pvc	red/black/white			DRAWN <i>Lala</i>		TITLE RCA PLUG
5	shell	1	brass	zinc alloy					DATE 2007. 09. 18
4	insulator	1	teflon	white				FILE NO. DRAWING\AUDIO\RP\RP-1001ZAG-TEF-A-RD/BK/WE-9.1	
3	screw	1	brass	gold	SCREW-104G-M4XP0.5X4.0mm				
2	contact pin	1	brass	gold					
1	body	1	brass	gold					
NO.	Description	Unit	Materials	Finish	Drawing No.	SCALE	2 : 1	UNIT	MM