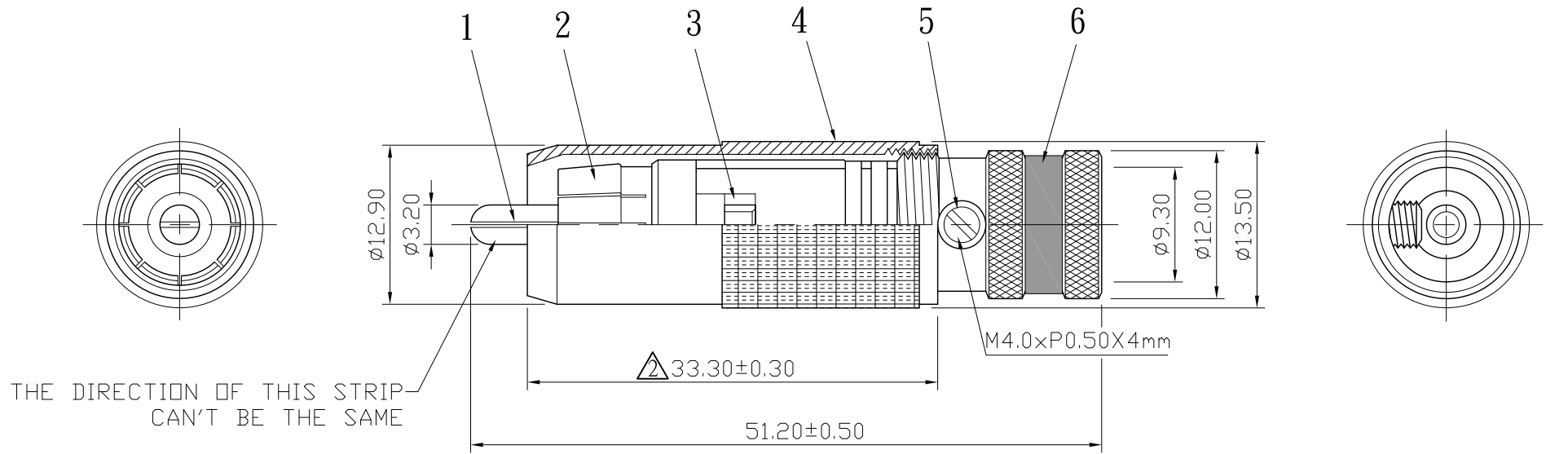
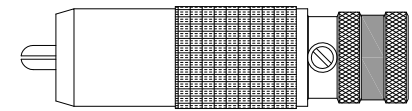


No.	DATE	DESCRIPTION	REV
△1	2011. 09. 20	Drawing to renew 圖面更新	A
△2	2014. 07. 14	Original dimation 32.50±0.50	B


REMARK : RoHS REQUIREMENT APPLIED
(符合RoHS)



FINISH: SILVER PLATED WITHOUT NICKEL
電鍍: (無鎳鍍銀)



S 1 : 1

NO.	Description	Unit	Materials	Finish	Drawing No.	SCALE	2 : 1	UNIT	MM	CHECKED	DATE	FILE NO.
7						DIMENSIONS ARE IN MILLIMETERS			CHECKED		 雅鈦企業有限公司 Aec Connectors Co., Ltd.	
6	color ring	1	pvc	red/black/white		UNLESS OTHRWISE PECIFIED TOLERANCES (一般公差)						
5	screw	1	brass	nickel	SCREW-104N-M4XP0.5X4.0mm	0.5~6 = ±0.2						
4	shell	1	brass	zinc alloy		>6~30 = ±0.4			DRAWN			
3	insulator	1	PTFE	white		>30~120 = ±0.6			<i>Jim</i>			
2	body	1	brass	silver		>120~315 = ±1						
1	contact pin	1	brass	silver		>315~1000 = ±1.6						
						ANGLES(角度) = ±5°						
										2009. 11. 23		RP-1006ZAS-TEF-A-RD/BK/WE-9.3
												FILE NO.DRAWINGAUDIO\RP\RP-1006ZAS-TEF-A-RD/BK/WE-9.3

雅鈦企業有限公司
Aec Connectors Co., Ltd.

TITLE RCA PLUG

DRAWING NO. RP-1006ZAS-TEF-A-RD/BK/WE-9.3

FILE NO.DRAWINGAUDIO\RP\RP-1006ZAS-TEF-A-RD/BK/WE-9.3