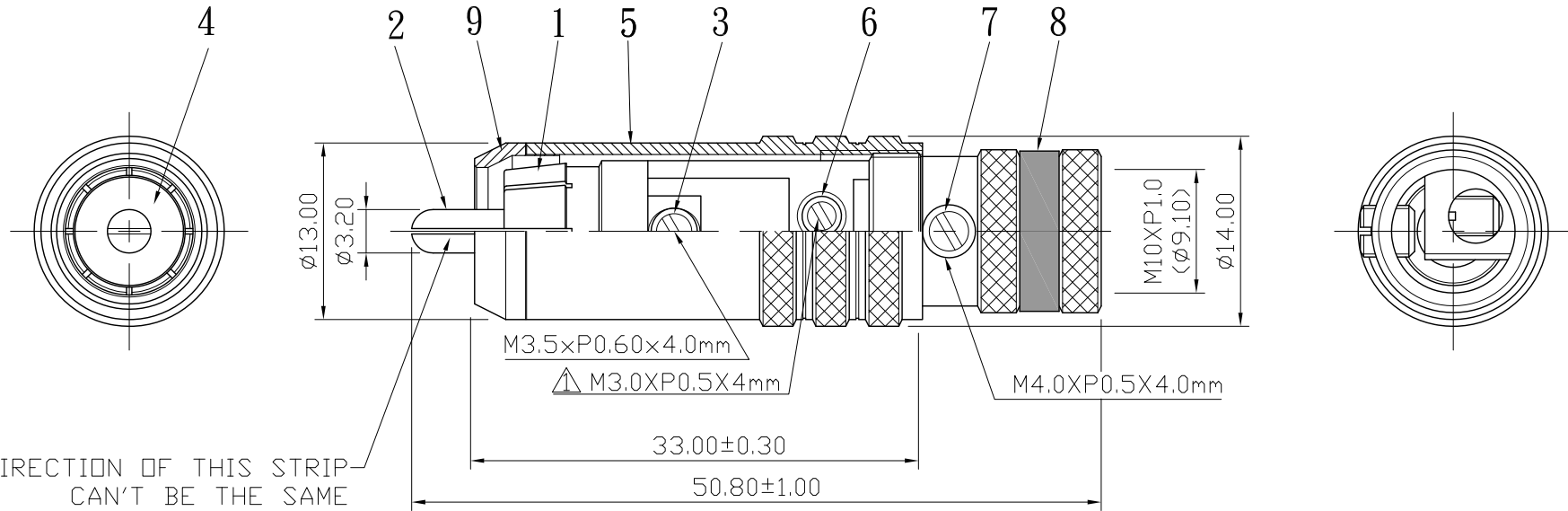
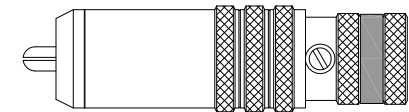


No.	DATE	DESCRIPTION	REV
△1	2008. 02. 21	Original dimention M4XP0.5X4.5mm.	A
△2	2013. 08. 23	Drawing to renew 圖面更新	B
△3	2014. 07. 02	Drawing to renew 圖面更新	C

REMARK : RoHS REQUIREMENT APPLIED
(符合RoHS)



THE DIRECTION OF THIS STRIP
CAN'T BE THE SAME



S 1 : 1

9	shell	1	brass	zinc alloy	
8	color ring	1	PVC	black/red/white	
7	screw	1	brass	gold	SCREW-104G-M4XP0.5X4.0mm
6	screw	1	brass	gold	SCREW-103G-M3XP0.5X4.0mm
5	shell	1	brass	zinc alloy	
4	insulator	1	PTFE	white	
3	screw	1	brass	gold	SCREW-105G-M3.5XP0.6X4.0mm
2	contact pin	1	brass	gold	
1	body	1	brass	gold	
NO.	Description	Unit	Materials	Finish	Drawing No.

DIMENSIONS ARE IN
MILLIMETERS
UNLESS OTHRWISE PECIFIED
TOLERANCES
(一般公差)
0.5~6 = ±0.2
>6~30 = ±0.4
>30~120 = ±0.6
>120~315 = ±1
>315~1000 = ±1.6
ANGLES(角度) = ±5°

CHECKED

DRAWN

Jim

DATE

2008. 06. 10



雅鈦企業有限公司
Aec Connectors Co., Ltd.

TITLE

RCA PLUG

DRAWING NO.

RP-1013ZAG-TEF-BK/RD/WE-9.1

FILE NO. DRAWING\AUDIO\RP\RP-1013ZAG-TEF-BK/RD/WE-9.1

SCALE 2 : 1 UNIT MM