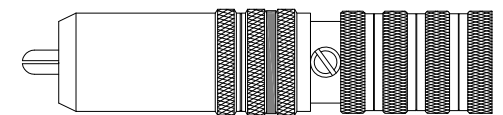
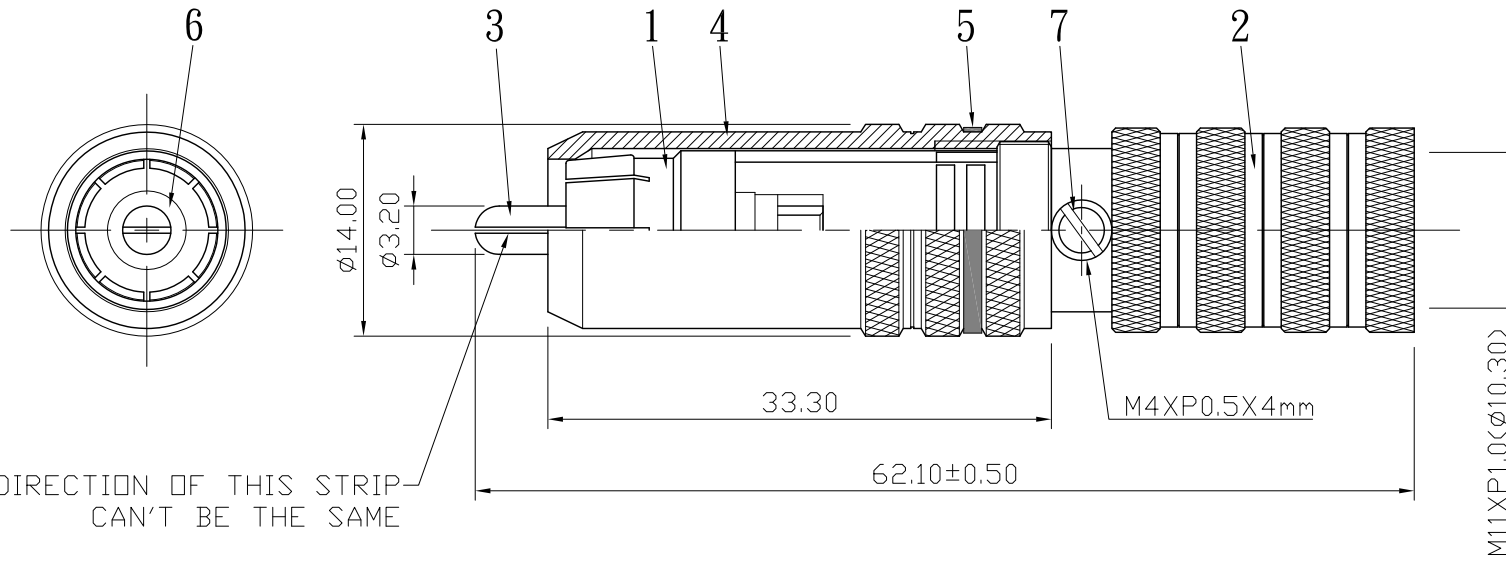



REMARK : RoHS REQUIREMENT APPLIED  
(符合RoHS)



S 1 : 1

|     |             |      |           |                 |                          |  |              |   |          |
|-----|-------------|------|-----------|-----------------|--------------------------|--|--------------|---|----------|
| 7   | screw       | 1    | brass     | gold            | SCREW-104G-M4XP0.5X4.0mm | DIMENSIONS ARE IN<br>MILLIMETERS<br><br>UNLESS OTRWISE PECIFIED<br>TOLERANCES<br>(一般公差)<br>0.5~6 = ±0.2<br>>6~30 = ±0.4<br>>30~120 = ±0.6<br>>120~315 = ±1<br>>315~1000 = ±1.6<br>ANGLES(角度) = ±5° | CHECKED      |  <b>雅鈦企業有限公司</b><br>Aec Connectors Co., Ltd. |          |
| 6   | insulator   | 1    | teflon    | white           |                          |  | DRAWN        |   | TITLE    |
| 5   | color ring  | 1    | PVC       | black/red/white |                          |  | <i>Jim</i>   |   | RCA PLUG |
| 4   | shell       | 1    | brass     | zinc alloy      |                          |  | DATE         | DRAWING NO.   |          |
| 3   | contact pin | 1    | brass     | gold            |                          |  | 2011. 11. 30 | RP-1024ZAG-TEF-A-SP-BK/RD/WE-11.0   |          |
| 2   | body        | 1    | brass     | gold            |                          |  |              | FILE NO. DRAWING\AUDIO\RP\RP-1024ZAG-TEF-A-SP-BK/RD/WE-11.0   |          |
| 1   | body        | 1    | brass     | gold            |                          |  |              |   |          |
| NO. | Description | Unit | Materials | Finish          | Drawing No.              | SCALE  | UNIT         | MM  |          |