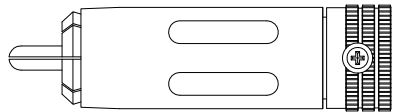
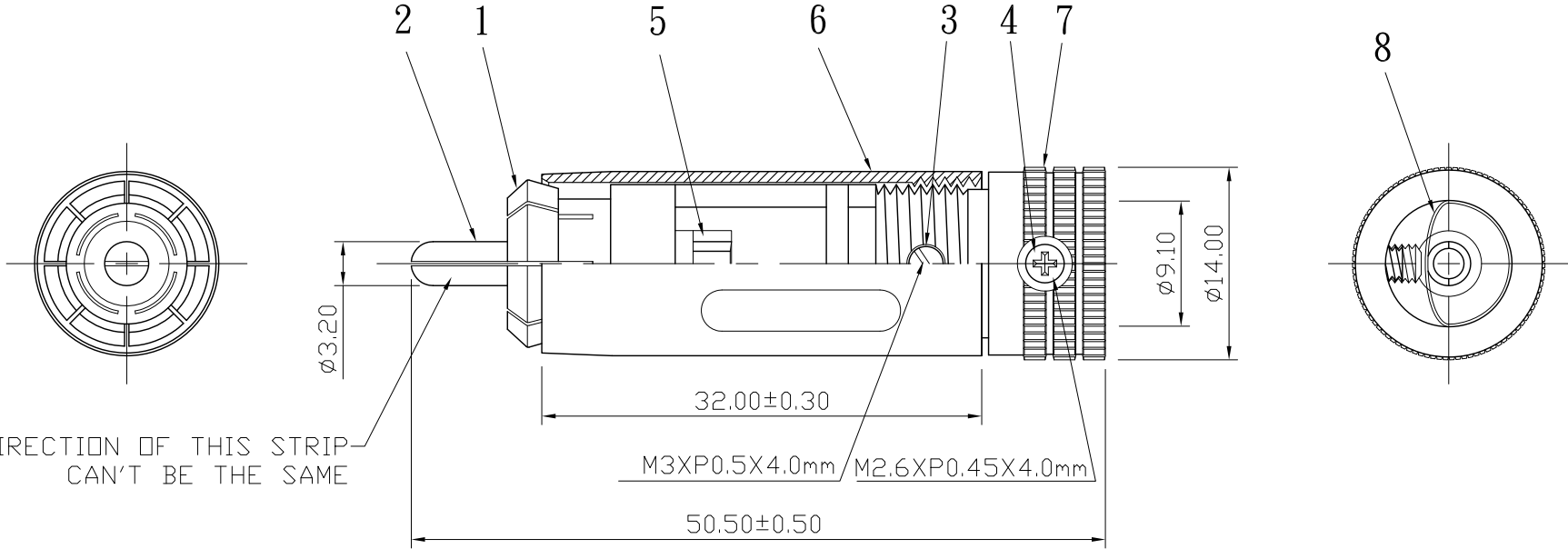


REMARK : RoHS REQUIREMENT APPLIED  
(符合RoHS)




S 1 : 1

| 8   | sleeve      | 1    | pvc       | white  |                             |
|-----|-------------|------|-----------|--------|-----------------------------|
| 7   | sleeve      | 1    | brass     | nickel |                             |
| 6   | shell       | 1    | brass     | nickel |                             |
| 5   | insulator   | 1    | teflon    | white  |                             |
| 4   | screw       | 1    | brass     | gold   | SCREW-301G-M2.6XP0.45X4.0mm |
| 3   | screw       | 1    | brass     | gold   | SCREW-103G-M3XP0.5X4.0mm    |
| 2   | contact     | 1    | brass     | gold   |                             |
| 1   | body        | 1    | brass     | gold   |                             |
| NO. | Description | Unit | Materials | Finish | Drawing No.                 |

DIMENSIONS ARE IN MILLIMETERS  
UNLESS OTHERWISE SPECIFIED TOLERANCES (一般公差)  
0.5~6 = ±0.2  
>6~30 = ±0.4  
>30~120 = ±0.6  
>120~315 = ±1  
>315~1000 = ±1.6  
ANGLES(角度) = ±5°

SCALE 2 : 1 UNIT MM

CHECKED  
DRAWN Chad  
DATE 2008. 12. 30



雅鈦企業有限公司  
Aec Connectors Co., Ltd.

TITLE RCA PLUG

DRAWING NO. RP-1037NG-TEF-A-9.1

FILE NO. DRAWING\AUDIO\RP-1037NG-TEF-A-9.1