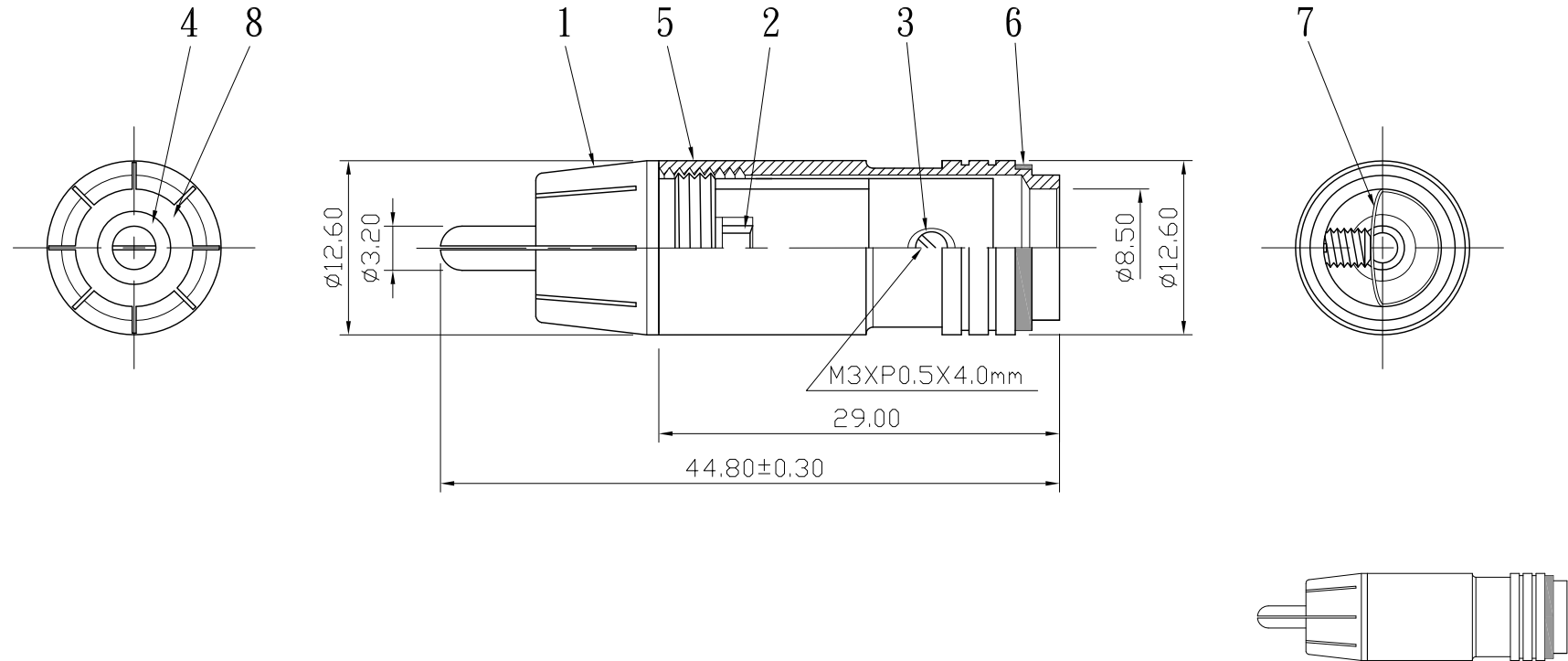



REMARK : RoHS REQUIREMENT APPLIED
(符合RoHS)



S 1 : 1

8	ring	1	brass	gold		DIMENSIONS ARE IN MILLIMETERS UNLESS OTHERWISE PECIFIED TOLERANCES (一般公差) 0.5~6 = ±0.2 >6~30 = ±0.4 >30~120 = ±0.6 >120~315 = ±1 >315~1000 = ±1.6 ANGLES(角度) = ±5°	CHECKED	 雅鈦企業有限公司 Aec Connectors Co., Ltd.	
7	sleeve	1	PVC	transparent					DRAWN <i>Jim</i>
6	color ring	1	aluminum	red/blue/gold/silver anodic treatment			DATE 2007. 08. 29	DRAWING NO. RP-1040ZAG-TEF-A-RD/BE/GD/SR-8.5	
5	shell	1	brass	zinc alloy				FILE NO. DRAWINGAUDIOARPRP-1040ZAG-TEF-A-RD/BE/GD/SR-8.5	
4	insulator	1	PTFE	white					
3	screw	1	brass	gold	SCREW-103G-M3XP0.5X4.0mm				
2	contact pin	1	brass	gold					
1	body	1	brass	gold					
NO.	Description	Unit	Materials	Finish	Drawing No.	SCALE	2 : 1	UNIT	MM