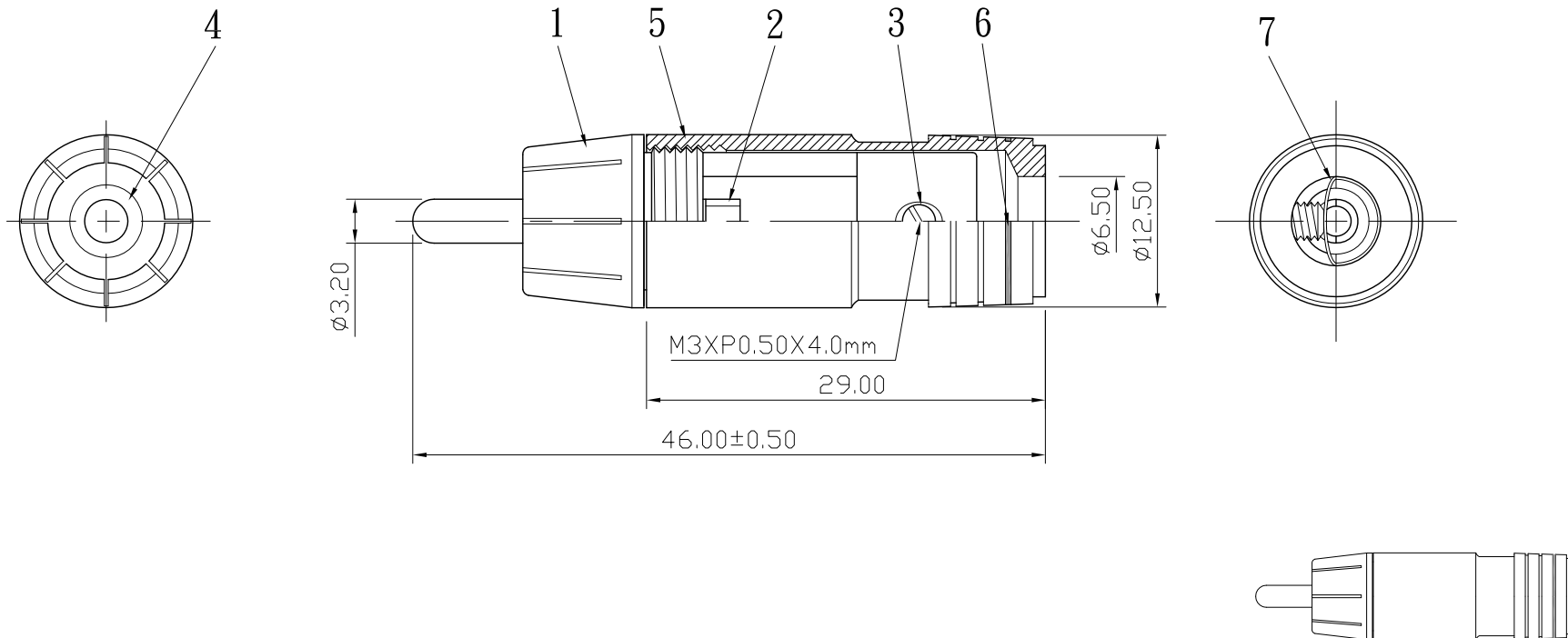



No.	DATE	DESCRIPTION	REV
△	2009. 08. 25	Drawing to renew 圖面更新	A

REMARK : RoHS REQUIREMENT APPLIED
(符合RoHS)



S 1 : 1

7	sleeve	1	pvc	white		DIMENSIONS ARE IN MILLIMETERS UNLESS OTHERWISE PECIFIED TOLERANCES (一般公差) 0.5~6 = ±0.2 >6~30 = ±0.4 >30~120 = ±0.6 >120~315 = ±1 >315~1000 = ±1.6 ANGLES(角度) = ±5°	CHECKED	 雅鈦企業有限公司 Aec Connectors Co., Ltd.	
6	color ring	1	pvc	red/black/blue white/yellow/green			DRAWN		TITLE
5	shell	1	brass	matte black coated			<i>Chad</i>	DRAWING NO.	
4	insulator	1	ABS	white				DATE	RP-1042MBCG-ABS-A-RD/BK/BE/WE/YW/GN-6.5
3	screw	1	brass	gold	SCREW-103G-M3XP0.5X4.0mm			2007. 08. 21	FILE NO. DRAWINGAUDIOIRPRP-1042MBCG-ABS-A-RD/BK/BE/WE/YW/GN-6.5
2	contact pin	1	brass	gold					
1	body	1	brass	gold					
NO.	Description	Unit	Materials	Finish	Drawing No.	SCALE	2 : 1	UNIT	MM