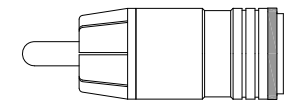
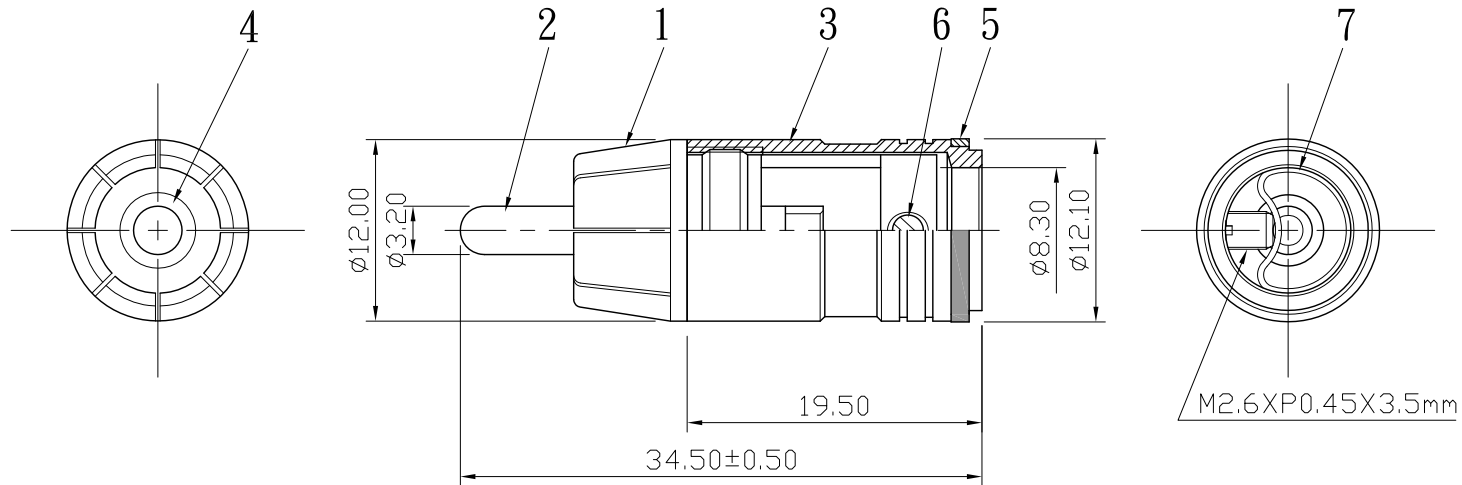


REMARK : RoHS REQUIREMENT APPLIED
(符合RoHS)



S 1 : 1

NO.	Description	Unit	Materials	Finish	Drawing No.	SCALE	2 : 1	UNIT	MM	CHECKED	DATE	FILE NO.
7	sleeve	1	PVC	transparent		DIMENSIONS ARE IN MILLIMETERS UNLESS OTHERWISE PECIFIED TOLERANCES (一般公差) 0.5~6 = ±0.2 >6~30 = ±0.4 >30~120 = ±0.6 >120~315 = ±1 >315~1000 = ±1.6 ANGLES(角度) = ±5°				Tina 2011. 06. 13	RP-1045ZAG-ABS-A-BE/RD/GD/SR-8.3	
6	screw	1	brass	gold	SCREW-102G-M2.6XP0.45X3.5mm							
5	color ring	1	aluminum	anodic treatment blue/red/gold/silver								
4	insulator	1	ABS	white								
3	shell	1	brass	zinc alloy								
2	contact pin	1	brass	gold								
1	body	1	brass	gold								
DIMENSIONS ARE IN MILLIMETERS UNLESS OTHERWISE PECIFIED TOLERANCES (一般公差) 0.5~6 = ±0.2 >6~30 = ±0.4 >30~120 = ±0.6 >120~315 = ±1 >315~1000 = ±1.6 ANGLES(角度) = ±5°											CHECKED DRAWN Tina DATE 2011. 06. 13	TITLE RCA PLUG DRAWING NO. RP-1045ZAG-ABS-A-BE/RD/GD/SR-8.3 FILE NO. DRAWING\AUDIO\RP-1045ZAG-ABS-A-BE/RD/GD/SR-8.3



雅鈦企業有限公司
Aec Connectors Co., Ltd.