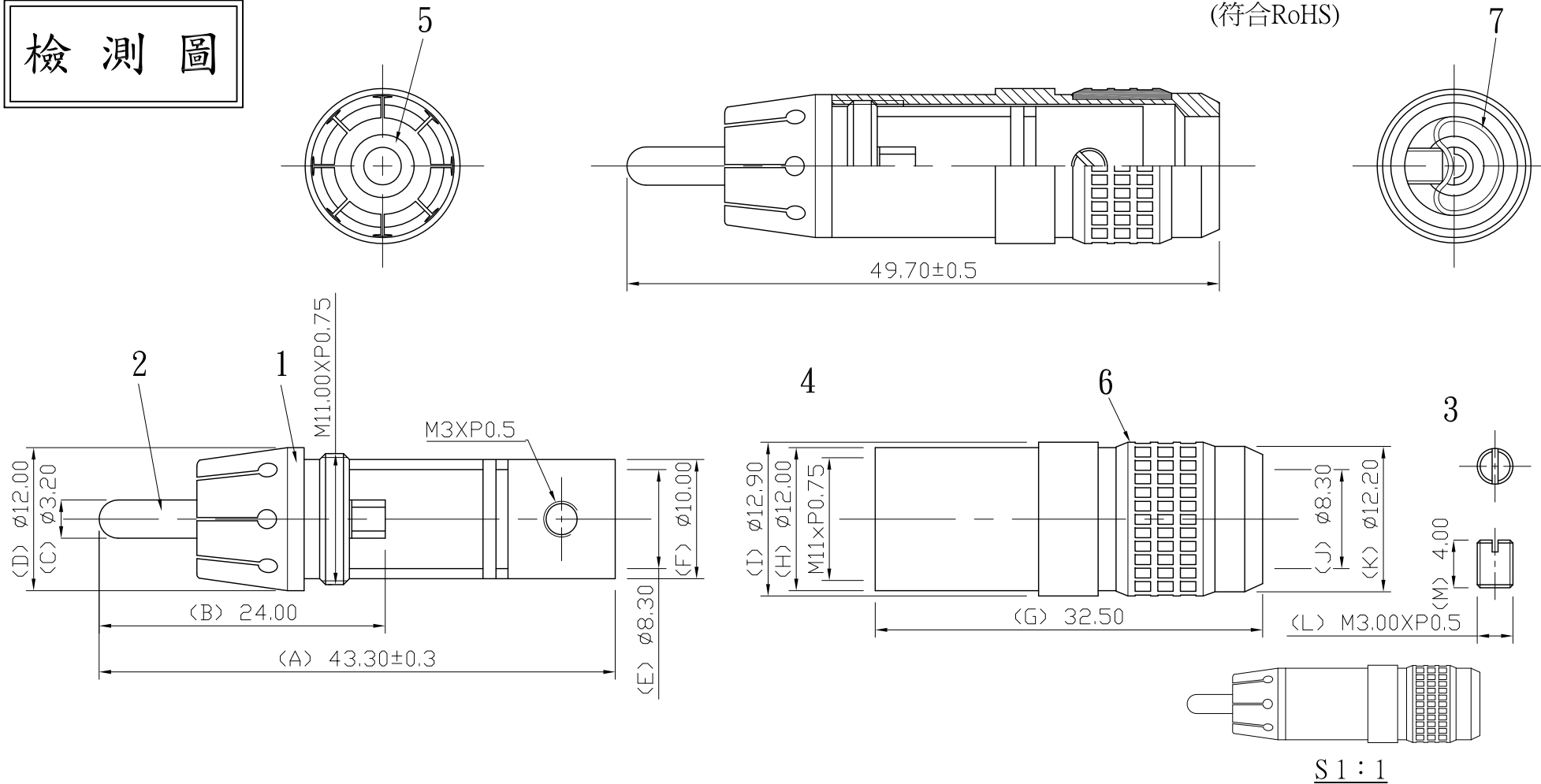



REMARK : RoHS REQUIREMENT APPLIED  
(符合RoHS)

檢測圖



NO.	Description	Unit	Materials	Finish	Drawing No.	SCALE	2 : 1	UNIT	MM					
7	sleeve	1	PVC	transparent		DIMENSIONS ARE IN MILLIMETERS UNLESS OTHERWISE PECIFIED TOLERANCES (一般公差) 0.5~6 = ±0.2 >6~30 = ±0.4 >30~120 = ±0.6 >120~315 = ±1 >315~1000 = ±1.6 ANGLES(角度) = ±5°								
6	color ring	1	rubber	black/red/bule										
5	insulator	1	ABS	white										
4	shell	1	brass	zinc alloy										
3	screw	1	brass	gold										
2	contact pin	1	brass	gold										
1	body	1	brass	gold										
						CHECKED	 雅鈦企業有限公司 Aec Connectors Co., Ltd.							
						DRAWN					TITLE RCA PLUG			
						DATE								
						2010. 09. 16					FILE NO. DRAWING\AUDIO\RP-1048ZAG-ABS-A-BK/RD/BE-8.3			