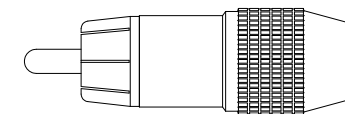
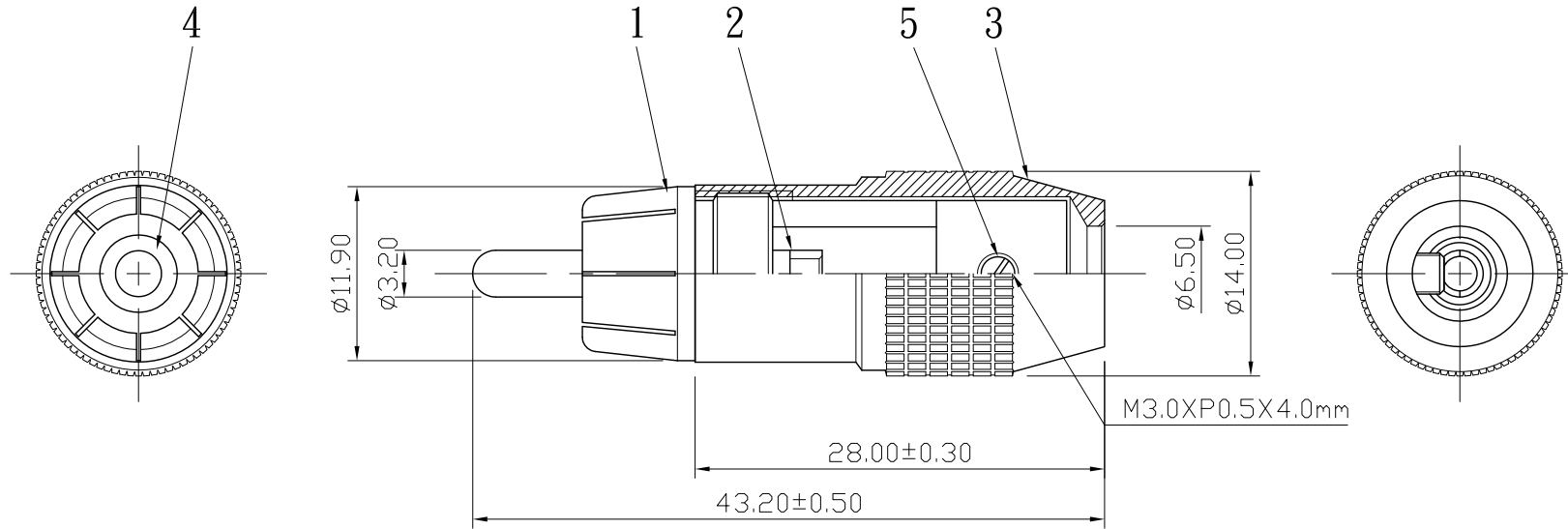


REMARK : RoHS REQUIREMENT APPLIED
(符合RoHS)



S 1 : 1

NO.	Description	Unit	Materials	Finish	Drawing No.	SCALE	2 : 1	UNIT	MM	CHECKED	DATE	FILE NO.
-						DIMENSIONS ARE IN MILLIMETERS						
-						UNLESS OTHERWISE SPECIFIED TOLERANCES (一般公差)						
5	screw	1	brass	gold	SCREW-103G-M3.0XP0.50X4.0mm	0.5~6 = ±0.2						
4	insulator	1	ABS	white		>6~30 = ±0.4						
3	shell	1	brass	gold		>30~120 = ±0.6						
2	contact pin	1	brass	gold		>120~315 = ±1						
1	body	1	brass	gold		>315~1000 = ±1.6						
						ANGLES(角度) = ±5°						
										DRAWN	2011. 06. 10	
										<i>Jim</i>		
												TITLE
												RCA PLUG
												DRAWING NO.
												RP-1090GG-ABS-A-6.5
												FILE NO.
												DRAWING\AUDIO\RP\RP-1090GG-ABS-A-6.5



雅鈦企業有限公司
Aec Connectors Co., Ltd.