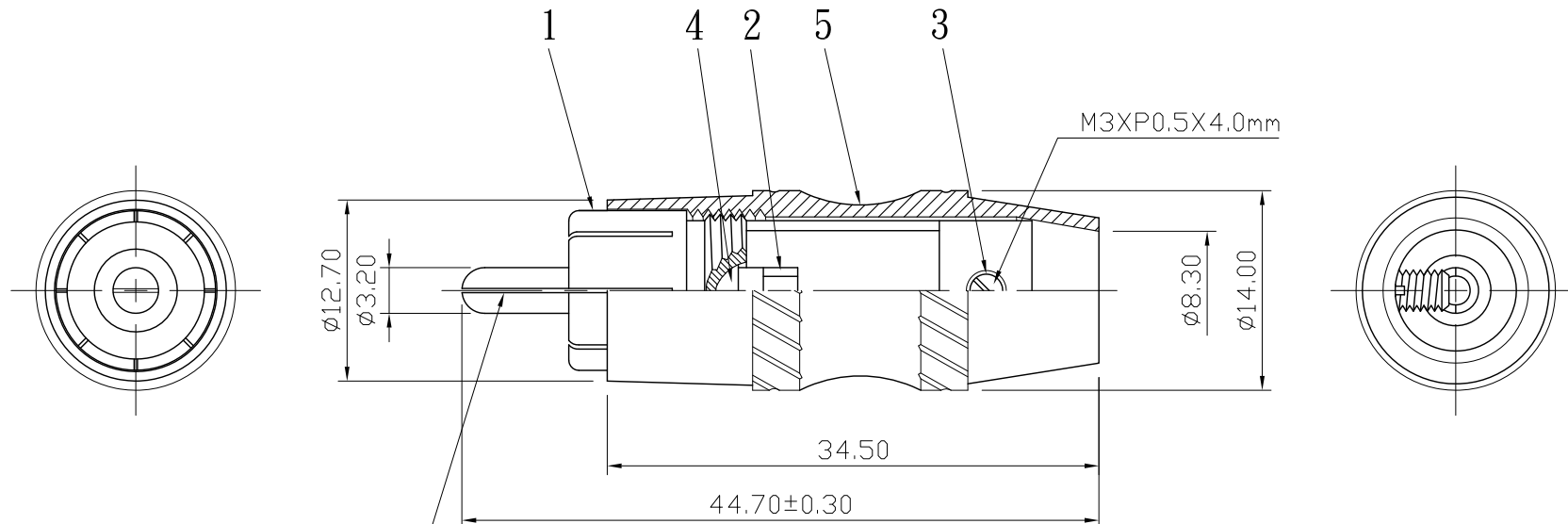
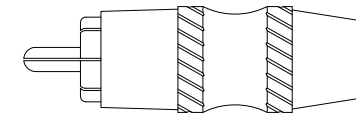



REMARK : RoHS REQUIREMENT APPLIED
(符合RoHS)



THE DIRECTION OF THIS STRIP
CAN'T BE THE SAME



S 1 : 1

| NO. | Description | Unit | Materials | Finish | Drawing No. | SCALE | 2 : 1 | UNIT | MM | CHECKED | DATE | FILE NO. | | | | |
|-----|-------------|------|-----------|--------|-------------------------|--|-------|------|----|---------|------|--|--|--|-------------|---------------------|
| 5 | shell | 1 | brass | gold | | DIMENSIONS ARE IN MILLIMETERS UNLESS OTHERWISE PECIFIED TOLERANCES (一般公差) 0.5~6 = ±0.2 >6~30 = ±0.4 >30~120 = ±0.6 >120~315 = ±1 >315~1000 = ±1.6 ANGLES(角度) = ±5° | | | | | |  雅鈦企業有限公司 Aec Connectors Co., Ltd. | | | | |
| 4 | insulator | 1 | ABS | white | | | | | | | | | | | TITLE | RCA PLUG |
| 3 | screw | 1 | brass | gold | SCREW-103-M3XP0.5X4.0mm | | | | | | | | | | DRAWING NO. | RP-1091GG-ABS-A-8.3 |
| 2 | contact pin | 1 | brass | gold | | | | | | | | | | | DRAWN | Lala |
| 1 | body | 1 | brass | gold | | | | | | | | | | | DATE | 2008.02.05 |
| | | | | | | | | | | | | DRAWING\AUDIO\RP\RP-1091GG-ABS-A-8.3 | | | | |