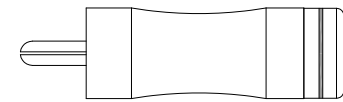
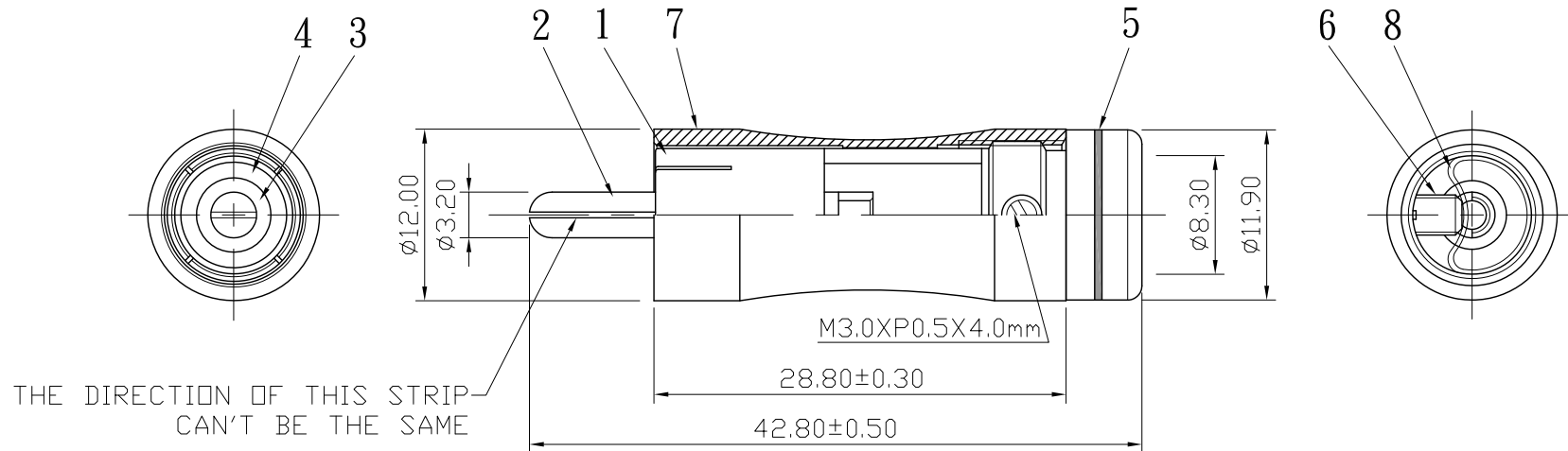


No.	DATE	DESCRIPTION	REV
△	2014. 03. 27	Drawing to new (圖面更新)	A



S 1 : 1


8	sleeve	1	pvc	transparent	
7	shell	1	brass	chrome	
6	screw	1	brass	gold	SCREW-103G-M3XP0.5X4.0mm
5	color ring	1	pvc	red/black/blue white/yellow/green	
4	ring	1	brass	gold	
3	insulator	1	PTFE	white	
2	contact pin	1	brass	gold	
1	body	1	brass	gold	
NO.	Description	Unit	Materials	Finish	Drawing No.

DIMENSIONS ARE IN MILLIMETERS
UNLESS OTHERWISE SPECIFIED
TOLERANCES
(一般公差)
0.5~6 = ±0.2
>6~30 = ±0.4
>30~120 = ±0.6
>120~315 = ±1
>315~1000 = ±1.6
ANGLES(角度) = ±5°

SCALE	2 : 1	UNIT	MM
-------	-------	------	----

CHECKED

DRAWN
Jim
DATE
2012. 05. 18



雅鈦企業有限公司
Aec Connectors Co., Ltd.

TITLE
RCA PLUG

DRAWING NO.
RP-1106CG-TEF-A-RD/BK/BE/WE/YW/GN-8.3

FILE NO. DRAWINGAUDIO\RP-1106CG-TEF-A-RD/BK/BE/WE/YW/GN-8.3