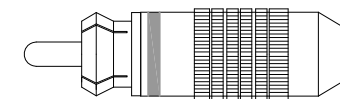
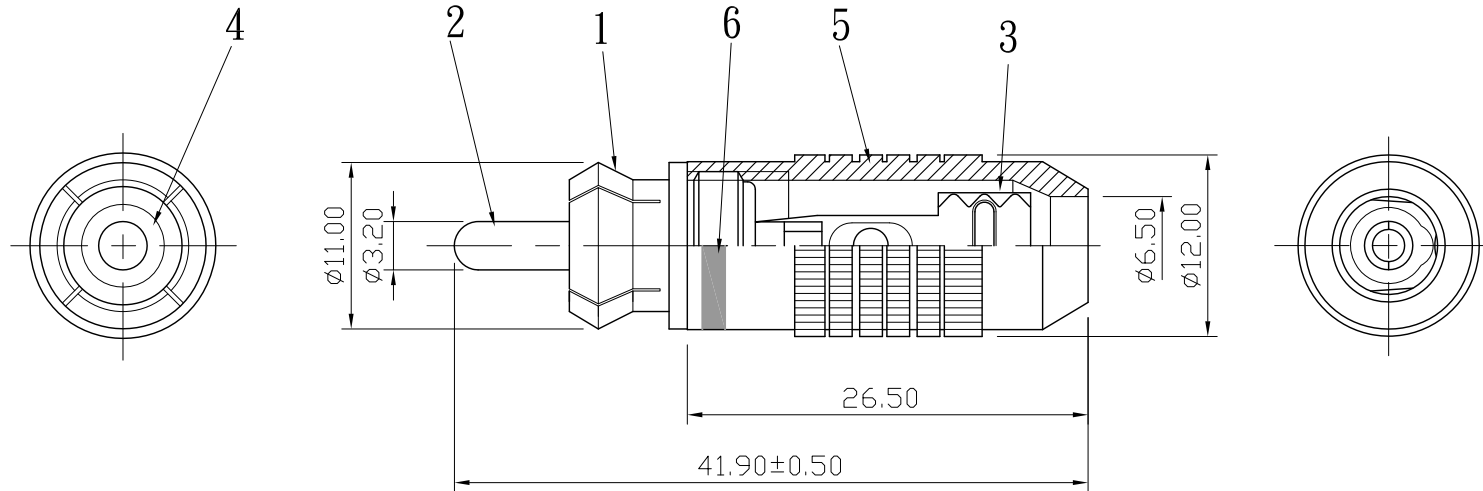


REMARK : RoHS REQUIREMENT APPLIED
(符合RoHS)



S 1 : 1

NO.	Description	Unit	Materials	Finish	Drawing No.	SCALE	2 : 1	UNIT	MM	CHECKED	DATE	FILE NO.
-	-					DIMENSIONS ARE IN MILLIMETERS						
6	color ring	1	painting	red/black/blue white/yellow/green		UNLESS OTHERWISE SPECIFIED TOLERANCES (一般公差)						
5	shell	1	brass	sandblast nickel		0.5~6 = ±0.2						
4	insulator	1	ABS	white		>6~30 = ±0.4						
3	clip	1	brass	gold		>30~120 = ±0.6						
2	contact pin	1	brass	gold		>120~315 = ±1						
1	body	1	brass	gold		>315~1000 = ±1.6						
						ANGLES(角度) = ±5°						
											2015. 02. 02	
												RP-1128sbNG-AUDIORP-RP-1128sbNG-ABS-A-RD/BK/BE/WE/YW/GN-6.5
												FILE NO.DRAWING/AUDIO/RP/RP-1128sbNG-ABS-A-RD/BK/BE/WE/YW/GN-6.5



雅鈦企業有限公司
Aec Connectors Co., Ltd.

TITLE

RCA PLUG

DRAWING NO.

RP-1128sbNG-ABS-A-RD/BK/BE/WE/YW/GN-6.5

FILE NO.DRAWING/AUDIO/RP/RP-1128sbNG-ABS-A-RD/BK/BE/WE/YW/GN-6.5