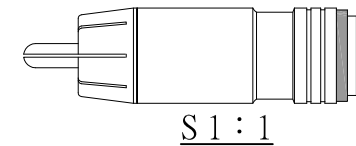
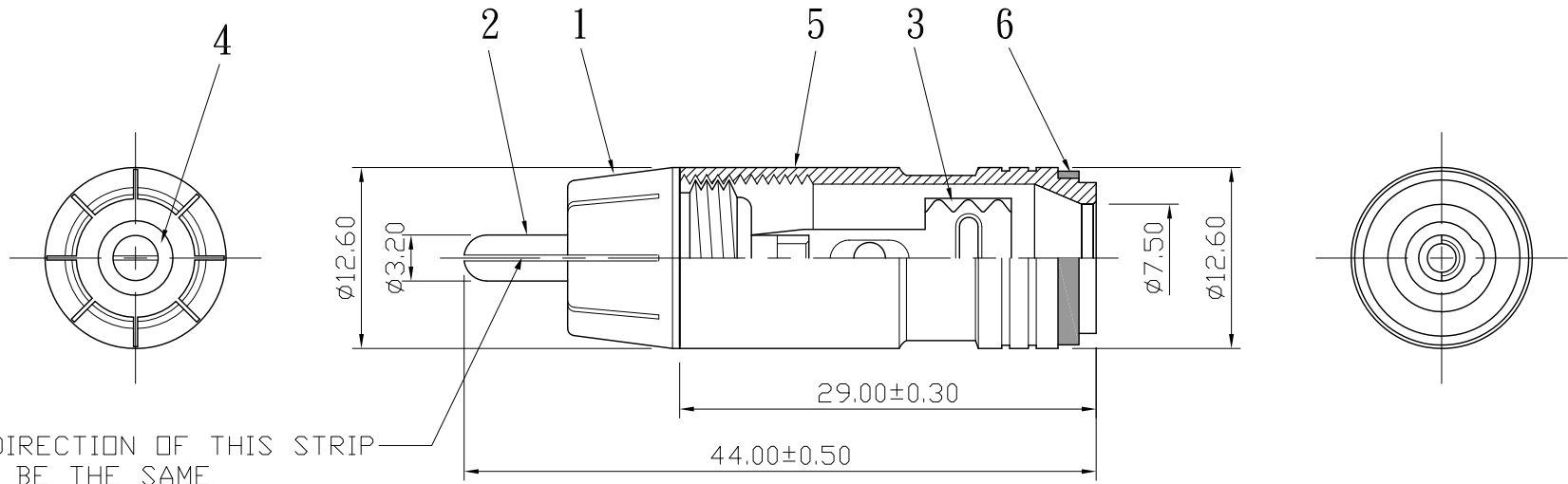



| No. | DATE | DESCRIPTION | REV |
|-----|--------------|-----------------------|-----|
| △ | 2013. 02. 27 | Drawing to renew 圖面更新 | A |

REMARK : RoHS REQUIREMENT APPLIED
(符合RoHS)



| | | | | | | | | | |
|-----|-------------|------|-----------|--|-------------|--|--|--|----------|
| 7 | | | | | | DIMENSIONS ARE IN MILLIMETERS UNLESS OTHERWISE PECIFIED TOLERANCES (一般公差) 0.5~6 = ±0.2 >6~30 = ±0.4 >30~120 = ±0.6 >120~315 = ±1 >315~1000 = ±1.6 ANGLES(角度) = ±5° | CHECKED |  雅鈦企業有限公司 Aec Connectors Co., Ltd. | |
| 6 | color ring | 1 | aluminum | blue/red/gold/silver anodic treatment | | | DRAWN | | TITLE |
| 5 | shell | 1 | brass | zinc alloy | | | <i>Tina</i> | | RCA PLUG |
| 4 | insulator | 1 | PTFE | white | | | DATE | DRAWING NO. | |
| 3 | clip | 1 | brass | gold | | | 2011. 01. 27 | RP-1141ZAG-TEF-A-BE/RD/G/S-7.5 | |
| 2 | contact pin | 1 | brass | gold | | | | FILE NO. DRAWING | |
| 1 | body | 1 | brass | gold | | | VAUDIO\RP\RP-1141ZAG-TEF-A-BE/RD/G/S-7.5 | | |
| NO. | Description | Unit | Materials | Finish | Drawing No. | SCALE | 2 : 1 | UNIT | MM |