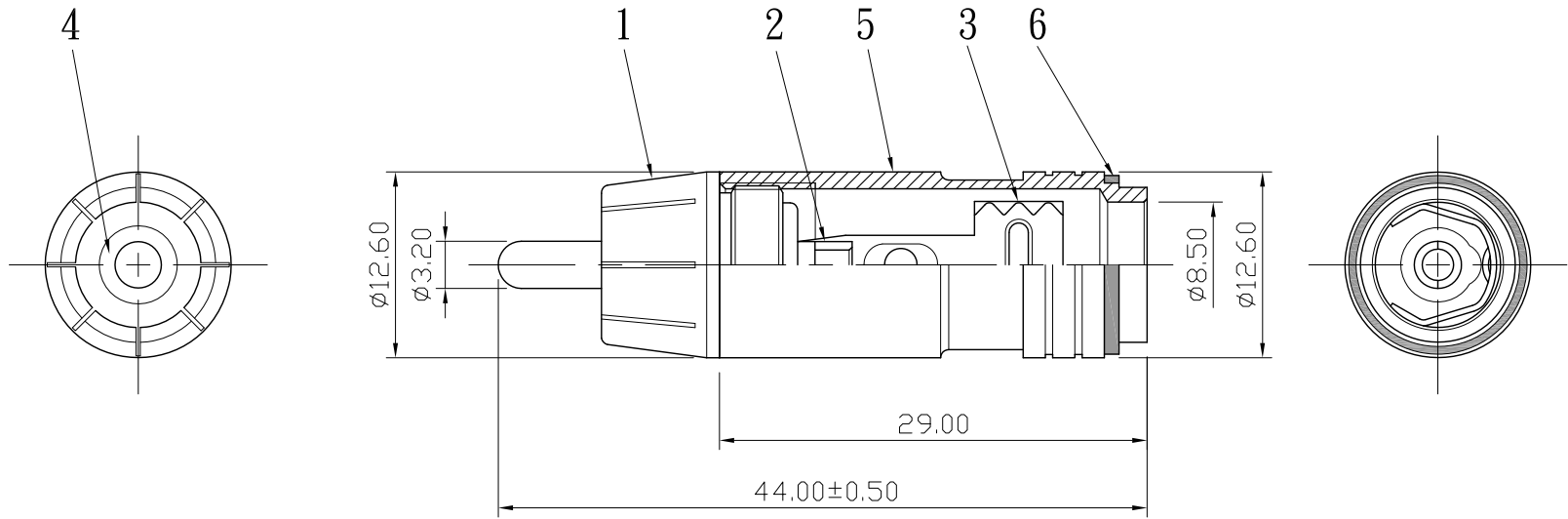



REMARK : RoHS REQUIREMENT APPLIED
(符合RoHS)



S 1 : 1

7						DIMENSIONS ARE IN MILLIMETERS UNLESS OTHERWISE PECIFIED TOLERANCES (一般公差) 0.5~6 = ±0.2 >6~30 = ±0.4 >30~120 = ±0.6 >120~315 = ±1 >315~1000 = ±1.6 ANGLES(角度) = ±5°	CHECKED	 雅鈦企業有限公司 Aec Connectors Co., Ltd.	
6	color ring	1	aluminum	blue/red/gold/silver anodic treatment			DRAWN <i>Jim</i>		TITLE RCA PLUG
5	shell	1	brass	matte black coated					DATE 2015. 01. 13
4	insulator	1	ABS	white				FILE NO. DRAWING\AUDIO\RP-1143MBCG-ABS-A-BE/RD/GD/SR-8.5	
3	clip	1	brass	gold					
2	contact pin	1	brass	gold					
1	body	1	brass	gold					
NO.	Description	Unit	Materials	Finish	Drawing No.	SCALE	2 : 1	UNIT	MM