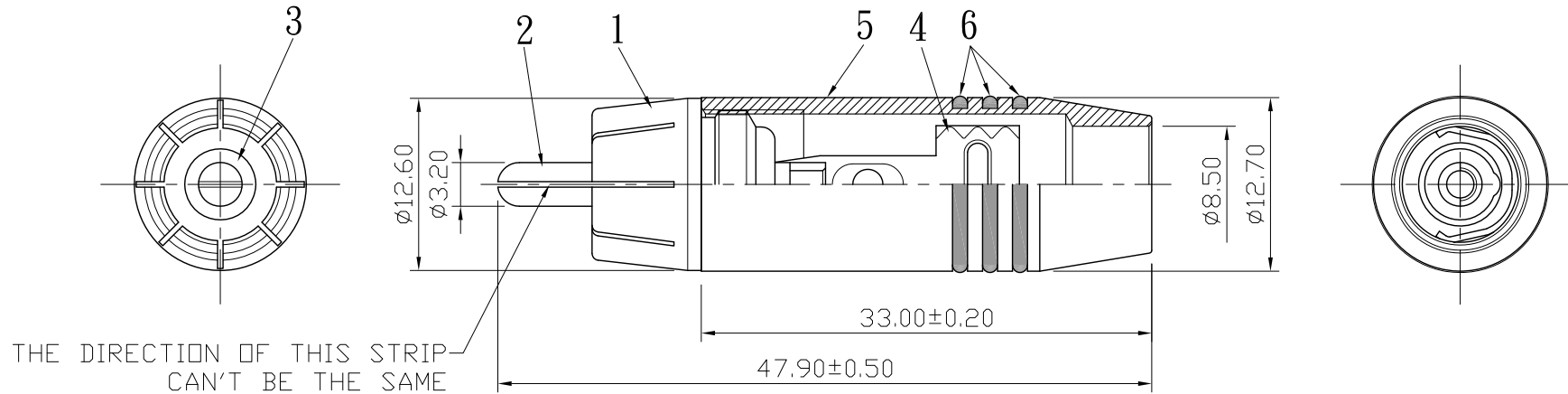



No.	DATE	DESCRIPTION	REV
△	2010. 07. 26	Drawing to renew 圖面更新	A

REMARK : RoHS REQUIREMENT APPLIED
(符合RoHS)



S 1 : 1

7						DIMENSIONS ARE IN MILLIMETERS UNLESS OTHERWISE SPECIFIED TOLERANCES (一般公差) 0.5~6 = ±0.2 >6~30 = ±0.4 >30~120 = ±0.6 >120~315 = ±1 >315~1000 = ±1.6 ANGLES(角度) = ±5°	CHECKED	 雅鈦企業有限公司 Aec Connectors Co., Ltd.	
6	color ring	3	rubber	red/black/blue white/yellow/green			DRAWN		TITLE
5	shell	1	brass	zinc alloy			<i>Jim</i>	RCA PLUG	
4	clip	1	brass	gold				DRAWING NO.	
3	insulator	1	PTFE	white				RP-1177ZAG-TEF-A-RD/BK/BE/WE/YW/GN-8.5	
2	contact pin	1	brass	gold			DATE	FILE NO. DRAWINGAUDIO\PRP-1177ZAG-TEF-A-RD/BK/BE/WE/YW/GN-8.5	
1	body	1	brass	gold			2010. 07. 26		
NO.	Description	Unit	Materials	Finish	Drawing No.	SCALE	2 : 1	UNIT	MM