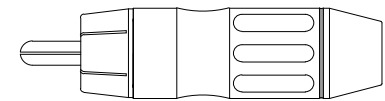
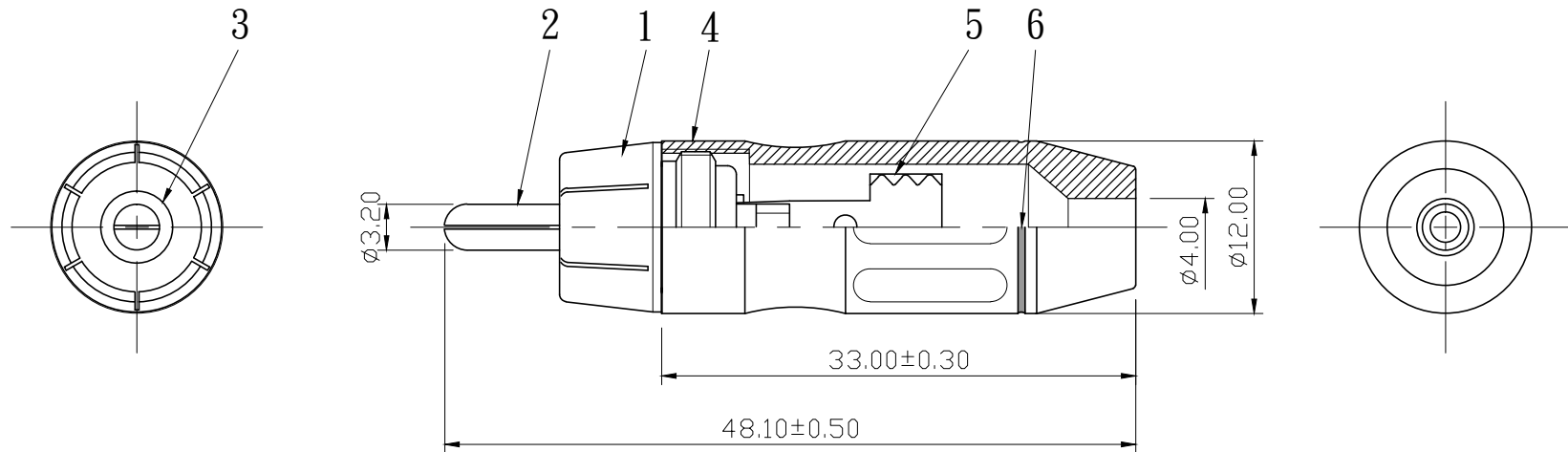



REMARK : RoHS REQUIREMENT APPLIED
(符合RoHS)



S1:1

NO.	Description	Unit	Materials	Finish	Drawing No.	SCALE	2 : 1	UNIT	MM	CHECKED	DATE	FILE NO.			
6	color ring	1	PVC	black/red		DIMENSIONS ARE IN MILLIMETERS UNLESS OTHERWISE PECIFIED TOLERANCES (一般公差) 0.5~6 = ±0.2 >6~30 = ±0.4 >30~120 = ±0.6 >120~315 = ±1 >315~1000 = ±1.6 ANGLES(角度) = ±5°						 雅鈦企業有限公司 Aec Connectors Co., Ltd.			
5	clip	1	brass	gold											
4	shell	1	brass	zinc alloy											
3	insulator	1	teflon	white											
2	contact pin	1	brass	gold											
1	body	1	brass	gold											
										DRAWN	2011. 03. 03				
										<i>Jim</i>					
										TITLE					
										DRAWING NO.					
											RP-1183ZAG-TEF-A-BK/RD-4.0				
												DRAWING\AUDIO\RP-1183ZAG-TEF-A-BK/RD-4.0			