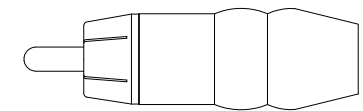
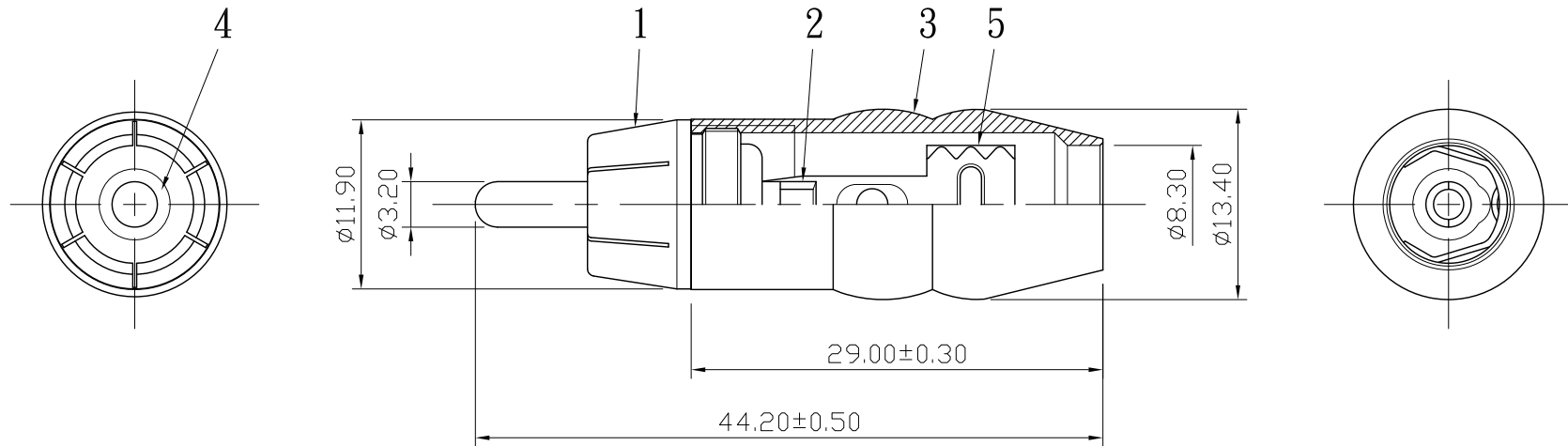



REMARK : RoHS REQUIREMENT APPLIED  
(符合RoHS)



S 1 : 1

7						DIMENSIONS ARE IN MILLIMETERS  UNLESS OTHERWISE PECIFIED TOLERANCES (一般公差) 0.5~6 = ±0.2 >6~30 = ±0.4 >30~120 = ±0.6 >120~315 = ±1 >315~1000 = ±1.6 ANGLES(角度) = ±5°	CHECKED	 雅鈦企業有限公司 Aec Connectors Co., Ltd.		
6					DRAWN		TITLE			
5	clip	1	brass	gold			<i>Jim</i>	RCA PLUG		
4	insulator	1	ABS	white				DRAWING NO.		
3	shell	1	brass	gold				RP-1260GG-ABS-A-8.3		
2	contact pin	1	brass	gold				FILE NO.		
1	body	1	brass	gold			DATE	DRAWING\AUDIO\RP-1260GG-ABS-A-8.3		
NO.	Description	Unit	Materials	Finish	Drawing No.	SCALE	2 : 1	UNIT	MM	2005. 02. 14