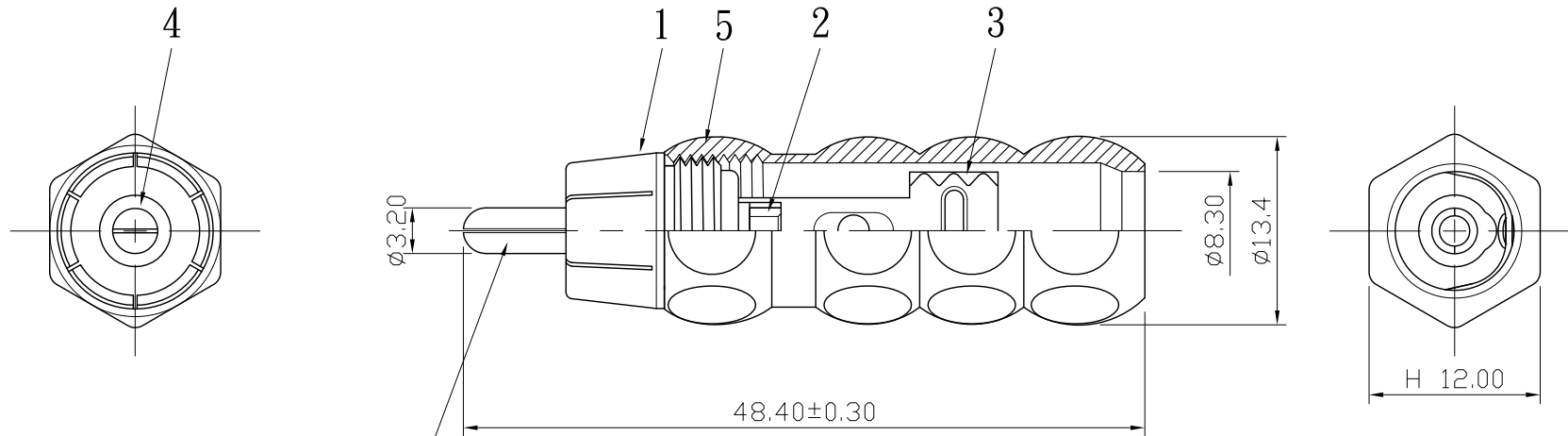
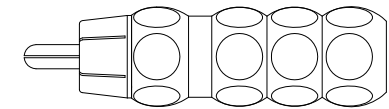


No.	DATE	DESCRIPTION	REV
△	2014. 09. 17	Drawing to renew (圖面更新)	A


REMARK : RoHS REQUIREMENT APPLIED
(符合RoHS)



THE DIRECTION OF THIS STRIP
CAN'T BE THE SAME



S 1 : 1

NO.	Description	Unit	Materials	Finish	Drawing No.	SCALE	UNIT	MM	CHECKED	DATE	FILE NO.		
5	shell	1	brass	zinc alloy		2 : 1			Sun	2007. 11. 05	DRAWING/AUDIO/RP/RP-1264ZAG-TEF-A-8.3		
4	insulator	1	PTFE	white									
3	clip	1	brass	gold									
2	contact pin	1	brass	gold									
1	body	1	brass	gold									
						DIMENSIONS ARE IN MILLIMETERS UNLESS OTHERWISE SPECIFIED TOLERANCES (一般公差) 0.5~6 = ± 0.2 >6~30 = ± 0.4 >30~120 = ± 0.6 >120~315 = ± 1 >315~1000 = ± 1.6 ANGLES(角度) = $\pm 5^\circ$			CHECKED DRAWN DATE		 雅鈦企業有限公司 Aec Connectors Co., Ltd.		
										TITLE		RCA PLUG	
										DRAWING NO.		RP-1264ZAG-TEF-A-8.3	