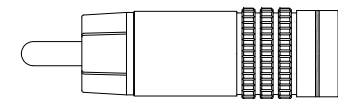
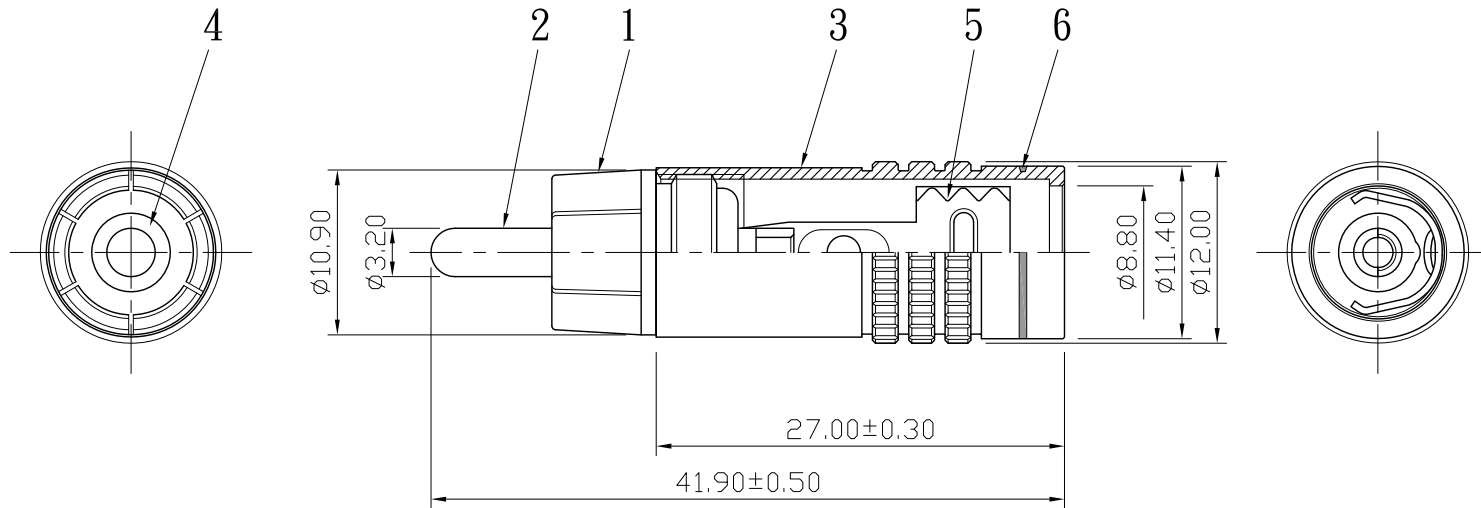



REMARK : RoHS REQUIREMENT APPLIED  
(符合RoHS)



S 1 : 1

NO.	Description	Unit	Materials	Finish	Drawing No.	SCALE	2 : 1	UNIT	MM	CHECKED	DATE	FILE NO.		
7						DIMENSIONS ARE IN MILLIMETERS UNLESS OTHERWISE SPECIFIED TOLERANCES (一般公差) 0.5~6 = ±0.2 >6~30 = ±0.4 >30~120 = ±0.6 >120~315 = ±1 >315~1000 = ±1.6 ANGLES(角度) = ±5°					 雅鈦企業有限公司 Aec Connectors Co., Ltd.	TITLE	RCA PLUG	
6	color ring	1	PVC	black/red/white										DRAWING NO.
5	clip	1	brass	gold									DRAWN	Tina
4	insulator	1	ABS	white									DATE	2011. 10. 21
3	shell	1	brass	black E-coated										
2	contact pin	1	brass	gold										
1	body	1	brass	gold										