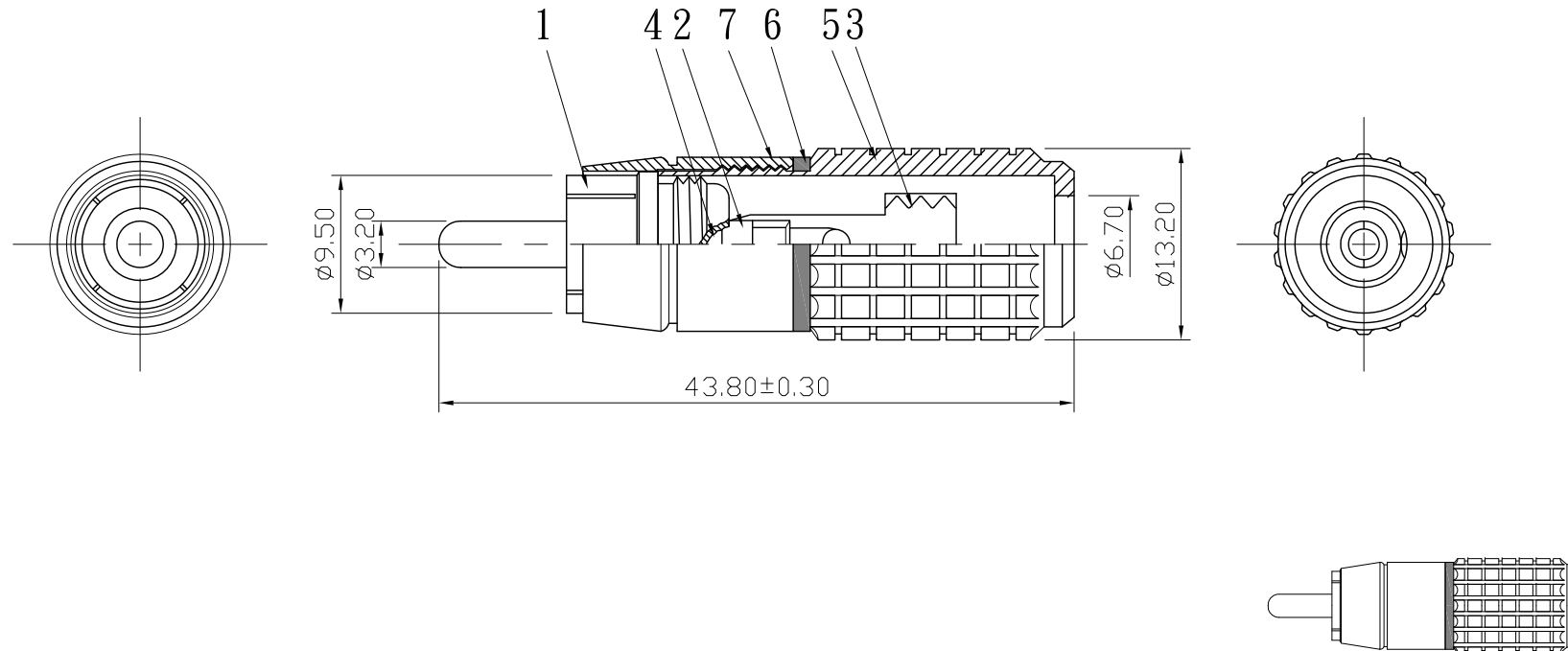



REMARK : RoHS REQUIREMENT APPLIED
(符合RoHS)



S 1 : 1

7	sleeve	1	aluminum	black anodic treatment	DIMENSIONS ARE IN MILLIMETERS UNLESS OTHERWISE PECIFIED TOLERANCES (一般公差) 0.5~6 = ±0.2 >6~30 = ±0.4 >30~120 = ±0.6 >120~315 = ±1 >315~1000 = ±1.6 ANGLES(角度) = ±5°	CHECKED	 雅鈦企業有限公司 Aec Connectors Co., Ltd.	
6	color ring	1	aluminum	red/blue anodic treatment				DRAWN <i>Taylor</i>
5	shell	1	aluminum	black anodic treatment		DATE 2010. 07. 15		
4	insulator	1	ABS	white		SCALE 2 : 1 UNIT MM		FILE NO. DRAWING\AUDIO\RP\RP-1281BKALG-ABS-A-RD/BE-6.7
3	clip	1	brass	gold				
2	contact pin	1	brass	gold				
1	body	1	brass	gold				
NO.	Description	Unit	Materials	Finish	Drawing No.			