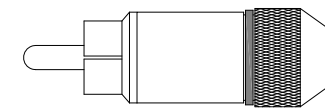
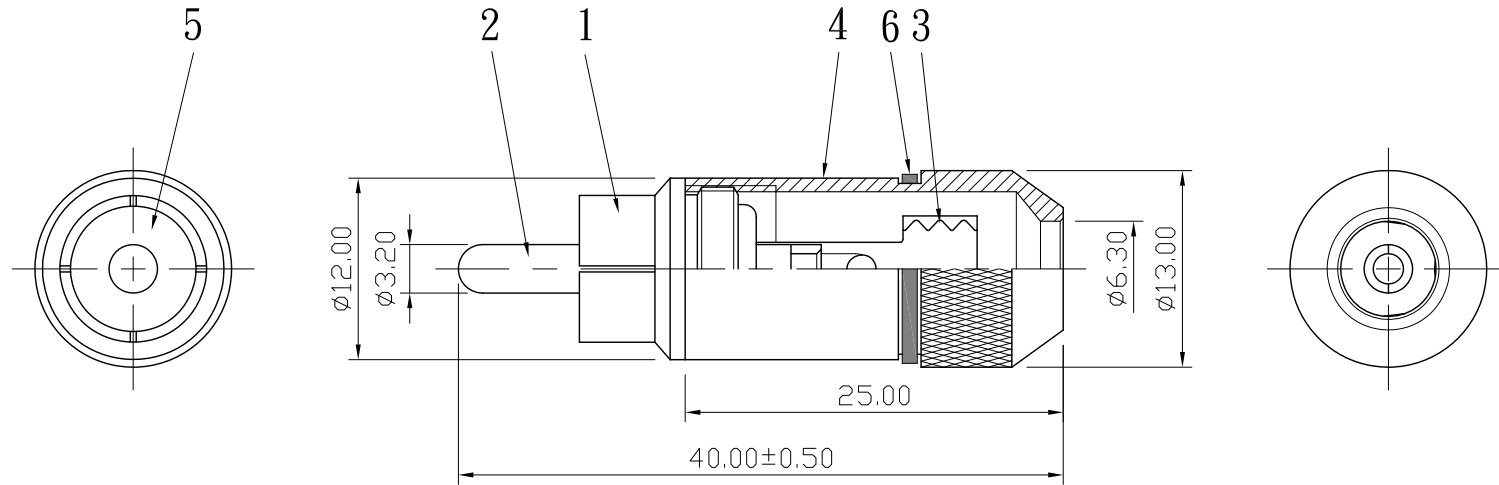



REMARK : RoHS REQUIREMENT APPLIED
(符合RoHS)



S 1 : 1

NO.	Description	Unit	Materials	Finish	Drawing No.	SCALE	2 : 1	UNIT	MM	DATE	2015. 03. 30	CHECKED		TITLE	RCA PLUG	DRAWING NO.	RP-1299sbNG-ABS-A-RD/BK/BE/WE-6.3	FILE NO.	DRAWING\AUDIO\RP\RP-1299sbNG-ABS-A-RD/BK/BE/WE-6.3							
-						DIMENSIONS ARE IN MILLIMETERS				CHECKED		 雅鈦企業有限公司 Aec Connectors Co., Ltd.														
6	color ring	1	PVC	red/black/blue/white	UNLESS OTHERWISE SPECIFIED TOLERANCES (一般公差)				DRAWN																	
5	insulator	1	ABS	white	0.5~6 = ±0.2				Jim																	
4	shell	1	brass	nickel	>6~30 = ±0.4				DATE																	
3	clip	1	brass	gold	>30~120 = ±0.6																					
2	contact pin	1	brass	gold	>120~315 = ±1																					
1	body	1	brass	gold	>315~1000 = ±1.6																					
					ANGLES(角度) = ±5°																					