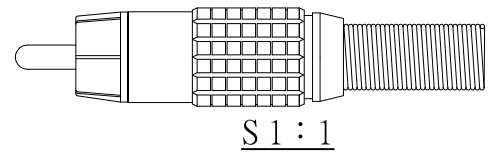
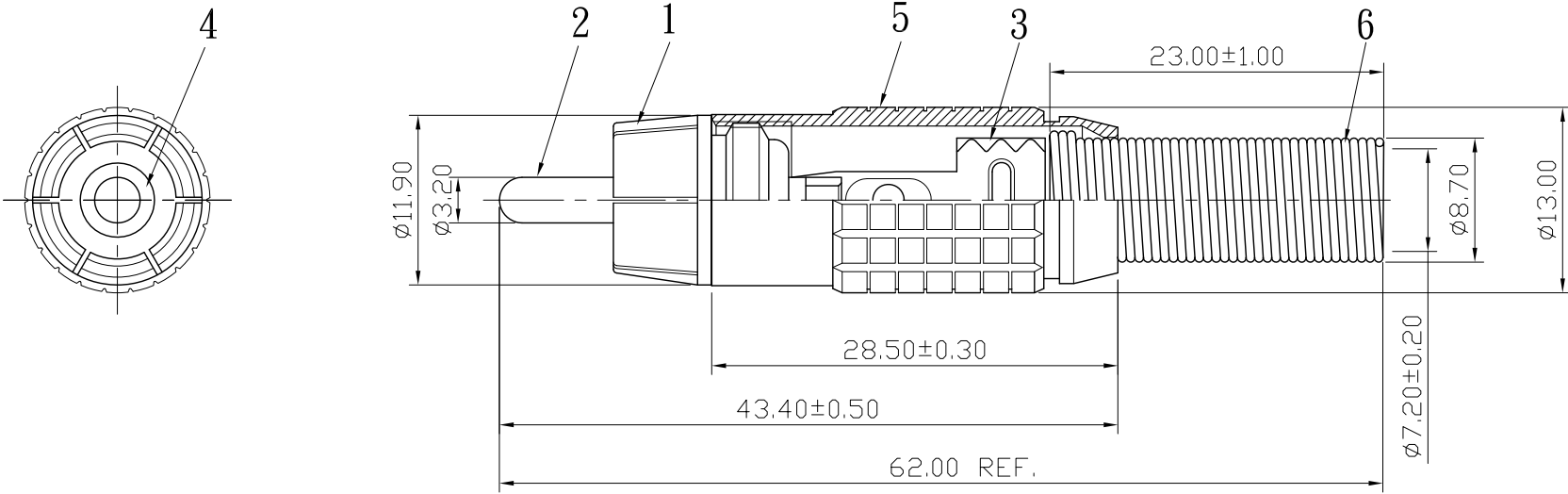



REMARK : RoHS REQUIREMENT APPLIED
(符合RoHS)



7					DIMENSIONS ARE IN MILLIMETERS UNLESS OTHERWISE PECIFIED TOLERANCES (一般公差) 0.5~6 = ±0.2 >6~30 = ±0.4 >30~120 = ±0.6 >120~315 = ±1 >315~1000 = ±1.6 ANGLES(角度) = ±5°	CHECKED	 雅鈦企業有限公司 Aec Connectors Co., Ltd.		
6	spring	1	iron	gold		DRAWN <i>Tina</i>		TITLE RCA PLUG	
5	shell	1	aluminum	red/black anodic treatment				DATE 2007. 08. 23	DRAWING NO. RP-1312RD/BKALG-ABS-A-7.2
4	insulator	1	ABS	white			FILE NO. DRAWINGVAUDIO\RP\RP-1312RD/BKALG-ABS-A-7.2		
3	clip	1	brass	gold					
2	contact pin	1	brass	gold					
1	body	1	brass	gold					
NO.	Description	Unit	Materials	Finish	Drawing No.	SCALE	2 : 1	UNIT	MM