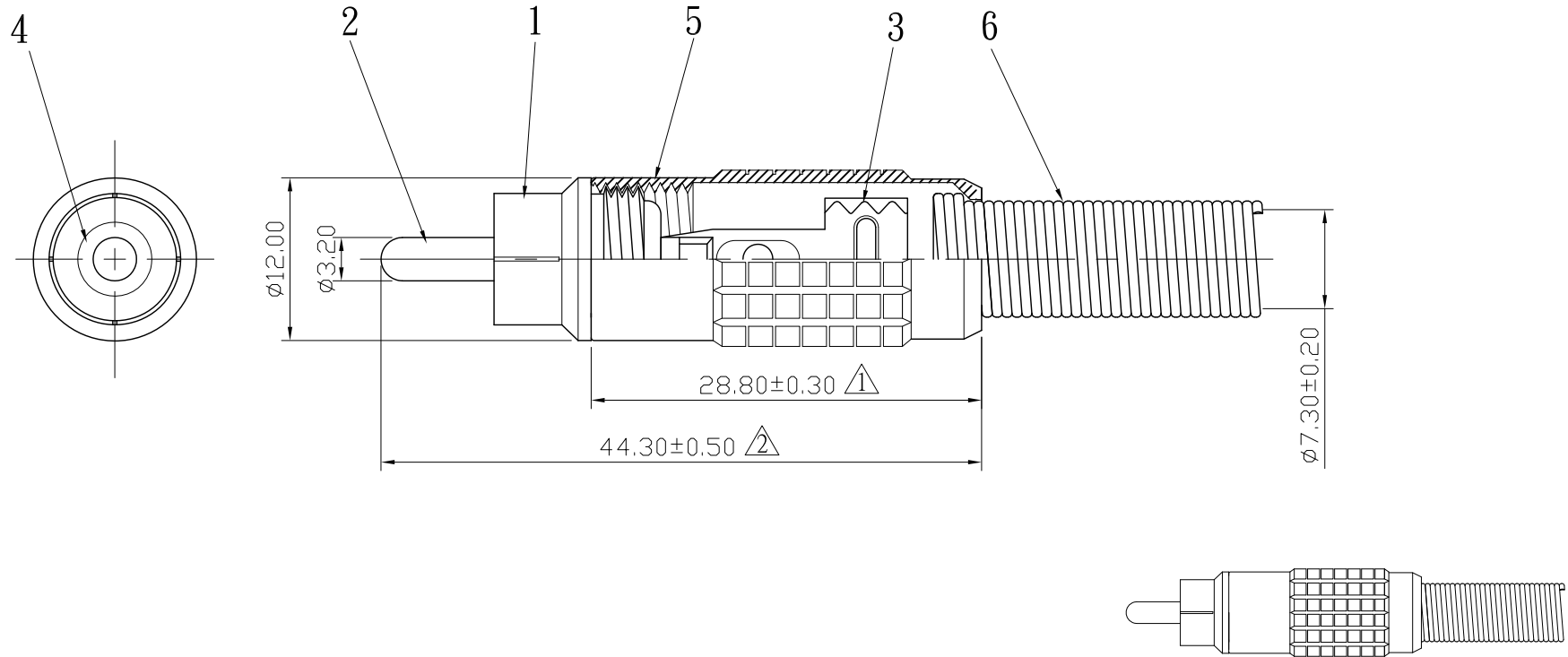



No.	DATE	DESCRIPTION	REV
△1	2009. 05. 26	Original dimation 28.40±0.30	A
△2	2009. 05. 26	Original dimation 43.70±0.50	

REMARK : RoHS REQUIREMENT APPLIED  
(符合RoHS)



S 1 : 1

NO.	Description	Unit	Materials	Finish	Drawing No.	SCALE	2 : 1	UNIT	MM	CHECKED	DATE	FILE NO.	
7						DIMENSIONS ARE IN MILLIMETERS			CHECKED		 <b>雅鈦企業有限公司</b> Aec Connectors Co., Ltd.		
6	spring	1	brass	gold		UNLESS OTHERWISE PECIFIED TOLERANCES (一般公差)			DRAWN	Lala		TITLE	RCA PLUG
5	shell	1	aluminum	red/black anodic treatment		0.5~6 = ±0.2						DATE	2008. 04. 28
4	insulator	1	ABS	white		>6~30 = ±0.4						FILE NO.	DRAWING\AUDIO\RP\RP-1315RD/BKALG-ABS-A-7.3
3	clip	1	brass	gold		>30~120 = ±0.6							
2	contact pin	1	brass	gold		>120~315 = ±1							
1	body	1	brass	gold		>315~1000 = ±1.6							
						ANGLES(角度) = ±5°							