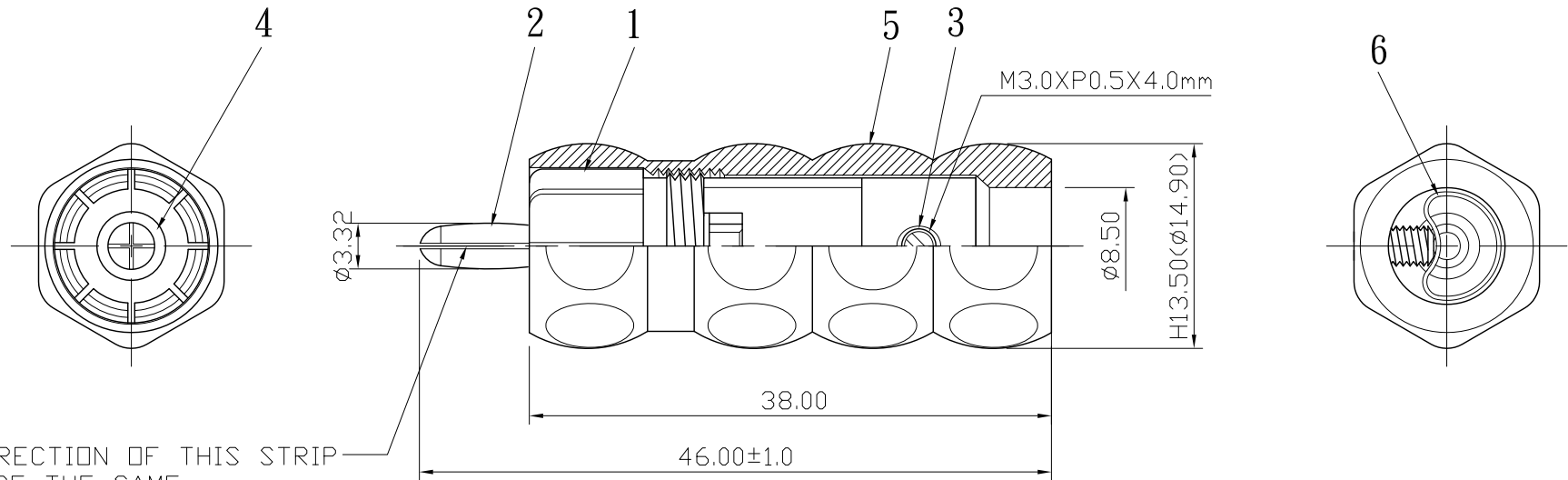
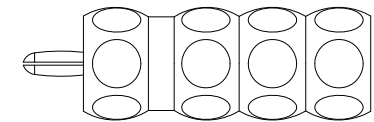


No.	DATE	DESCRIPTION	REV
△	2014. 09. 16	Drawing revised (圖面修正)	A

REMARK : RoHS REQUIREMENT APPLIED
(符合RoHS)



THE DIRECTION OF THIS STRIP
CAN'T BE THE SAME



S 1 : 1

NO.	Description	Unit	Materials	Finish	Drawing No.	SCALE	UNIT	MM	CHECKED	DATE	FILE NO.
7						DIMENSIONS ARE IN MILLIMETERS			CHECKED	2010. 07. 15	DRAWING/AUDIO/RP/RP-202sbGS-TEF-A-8.5
6	sleeve	1	PVC	transparent		UNLESS OTHERWISE SPECIFIED TOLERANCES (一般公差)					
5	shell	1	brass	sandblast gold		0.5~6 = ±0.2			DRAWN <i>Sun</i>	2010. 07. 15	DRAWING/AUDIO/RP/RP-202sbGS-TEF-A-8.5
4	insulator	1	PTFE	white		>6~30 = ±0.4					
3	screw	1	brass	nickel	SCREW-103N-M3XP0.5X4.0mm	>30~120 = ±0.6			DATE	2010. 07. 15	DRAWING/AUDIO/RP/RP-202sbGS-TEF-A-8.5
2	contact pin	1	brass	silver		>120~315 = ±1					
1	body	1	brass	silver		>315~1000 = ±1.6			DATE	2010. 07. 15	DRAWING/AUDIO/RP/RP-202sbGS-TEF-A-8.5
NO.	Description	Unit	Materials	Finish	Drawing No.	SCALE	UNIT	MM			
						ANGLES(角度) = ±5°					



雅鈦企業有限公司
Aec Connectors Co., Ltd.

TITLE
RCA PLUG
DRAWING NO.
RP-202sbGS-TEF-A-8.5
FILE NO.
DRAWING/AUDIO/RP/RP-202sbGS-TEF-A-8.5