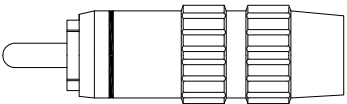
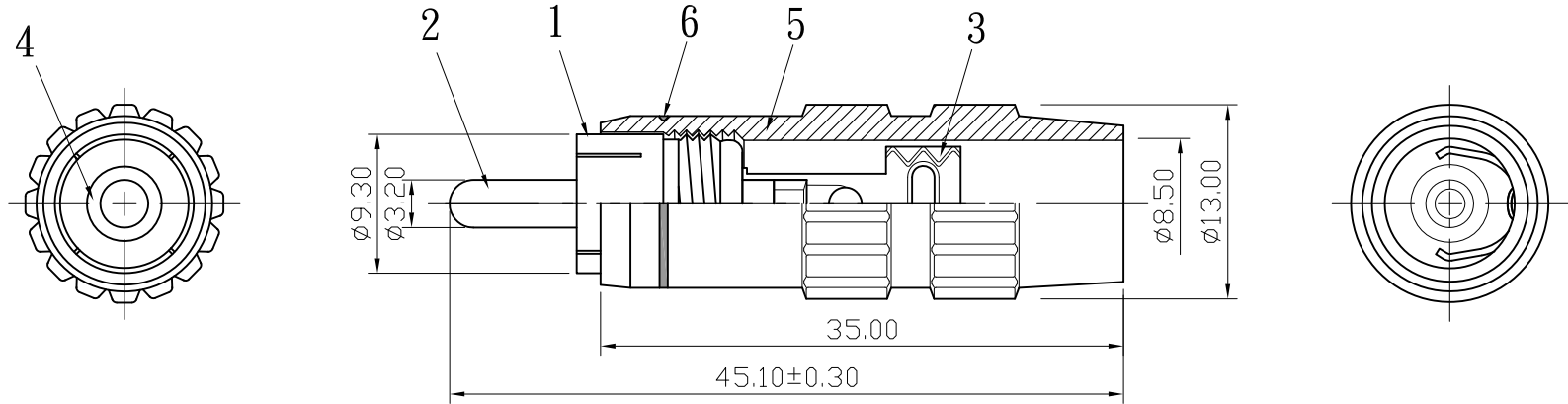



REMARK : RoHS REQUIREMENT APPLIED  
(符合RoHS)



S 1 : 1

7						DIMENSIONS ARE IN MILLIMETERS UNLESS OTHERWISE SPECIFIED TOLERANCES (一般公差) 0.5~6 = ±0.2 >6~30 = ±0.4 >30~120 = ±0.6 >120~315 = ±1 >315~1000 = ±1.6 ANGLES(角度) = ±5°	CHECKED	 雅鈦企業有限公司 Aec Connectors Co., Ltd.	
6	color ring	1	PVC	red/black/white			DRAWN		TITLE
5	shell	1	brass	zinc alloy			<i>Taylor</i>		RCA BLUG
4	insulator	1	ABS	white			DATE	DRAWING NO.	
3	clip	1	brass	gold			2010. 07. 28	RP-207ZAG-ABS-A-RD/BK/WE-8.5	
2	contact pin	1	brass	gold				FILE NO. DRAWING\AUDIO\RP\RP-207ZAG-ABS-A-RD/BK/WE-8.5	
1	body	1	brass	gold					
NO.	Description	Unit	Materials	Finish	Drawing No.	SCALE	UNIT	MM	
						2 : 1			