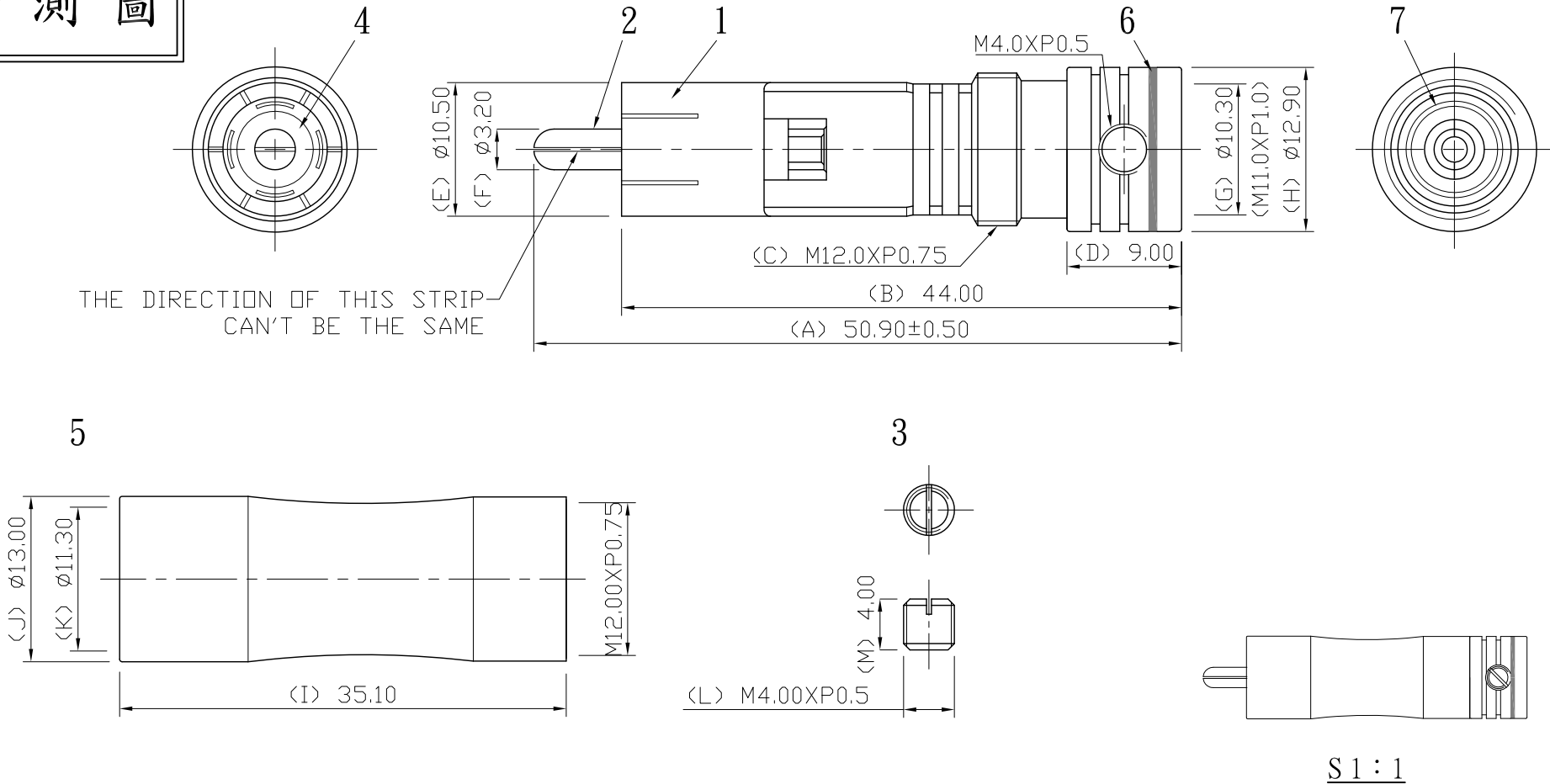


No.	DATE	DESCRIPTION	REV
△	2013. 12. 04	Drawing to renew 圖面更新	A

REMARK : RoHS REQUIREMENT APPLIED
(符合RoHS)


檢 測 圖



7	sleeve	1	PVC	transparent	
6	color ring	1	PVC	red/black/blue/green	
5	shell	1	brass	nickel	
4	insulator	1	PTFE	white	
3	screw	1	brass	gold	SCREW-104G-M4XP0.5X4.0mm
2	contact pin	1	brass	gold	
1	body	1	brass	gold	
NO.	Description	Unit	Materials	Finish	Drawing No.

DIMENSIONS ARE IN MILLIMETERS			
UNLESS OTHERWISE SPECIFIED TOLERANCES (一般公差)			
0.5~6	= ±0.2		
>6~30	= ±0.4		
>30~120	= ±0.6		
>120~315	= ±1		
>315~1000	= ±1.6		
ANGLES(角度) = ±5°			
SCALE	2 : 1	UNIT	MM

CHECKED
DRAWN <i>Otis</i>
DATE 2010. 11. 12

 <p>雅鈦企業有限公司 Aec Connectors Co., Ltd.</p>	TITLE RCA PLUG
	DRAWING NO. RP-213NG-
	TEF-A-RD/BK/BE/GN-10.3-檢測圖
	FILE NO. DRAWINGAUDIOARPRP-213NG-TEF-A-RD/BK/BE/GN-10.3