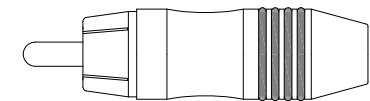
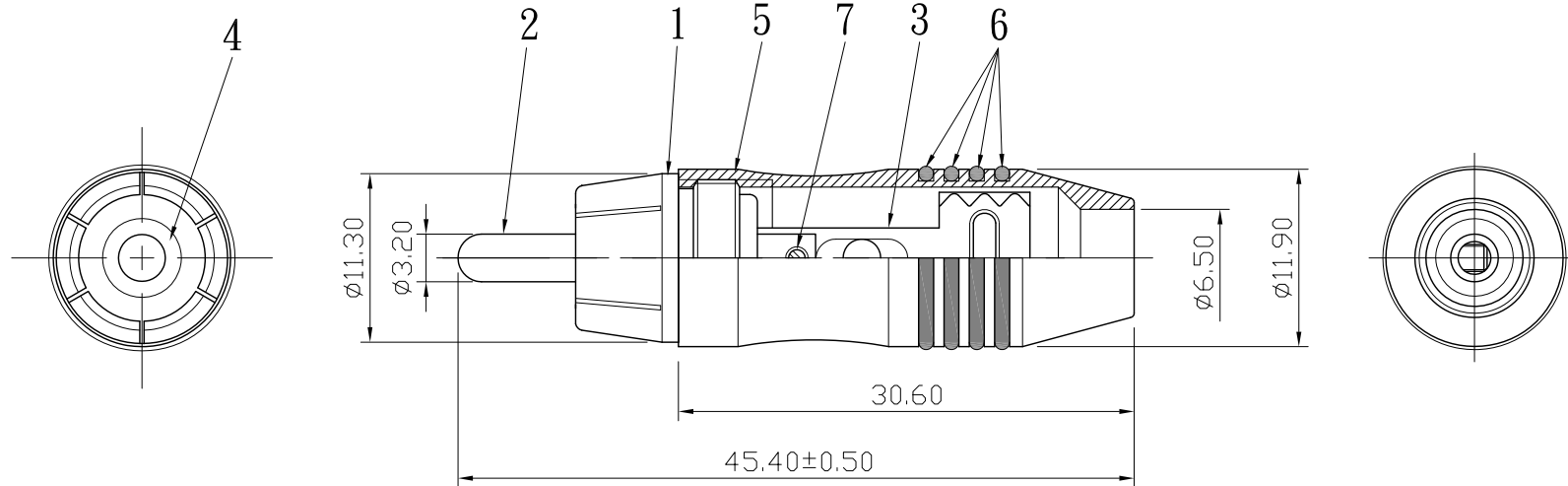



REMARK : RoHS REQUIREMENT APPLIED  
(符合RoHS)



S 1 : 1

7	screw	1	brass	gold	SCREW-101G-M2XP0.4X2.5mm	DIMENSIONS ARE IN MILLIMETERS  UNLESS OTHERWISE PECIFIED TOLERANCES (一般公差) 0.5~6 = ±0.2 >6~30 = ±0.4 >30~120 = ±0.6 >120~315 = ±1 >315~1000 = ±1.6 ANGLES(角度) = ±5°	CHECKED	 雅鈦企業有限公司 Aec Connectors Co., Ltd.	
6	color ring	4	rubber	red/black			DRAWN		TITLE
5	shell	1	brass	zinc alloy			<i>Jim</i>	RCA PLUG	
4	insulator	1	ABS	white				DATE	DRAWING NO.
3	clip	1	brass	gold			2013. 12. 25	RP-223ZAG-ABS-B-RD/BK-6.5	
2	contact pin	1	brass	gold				FILE NO.	
1	body	1	brass	gold			DRAWING\AUDIO\RP-223ZAG-ABS-B-RD/BK-6.5		
NO.	Description	Unit	Materials	Finish	Drawing No.	SCALE	2 : 1	UNIT	MM