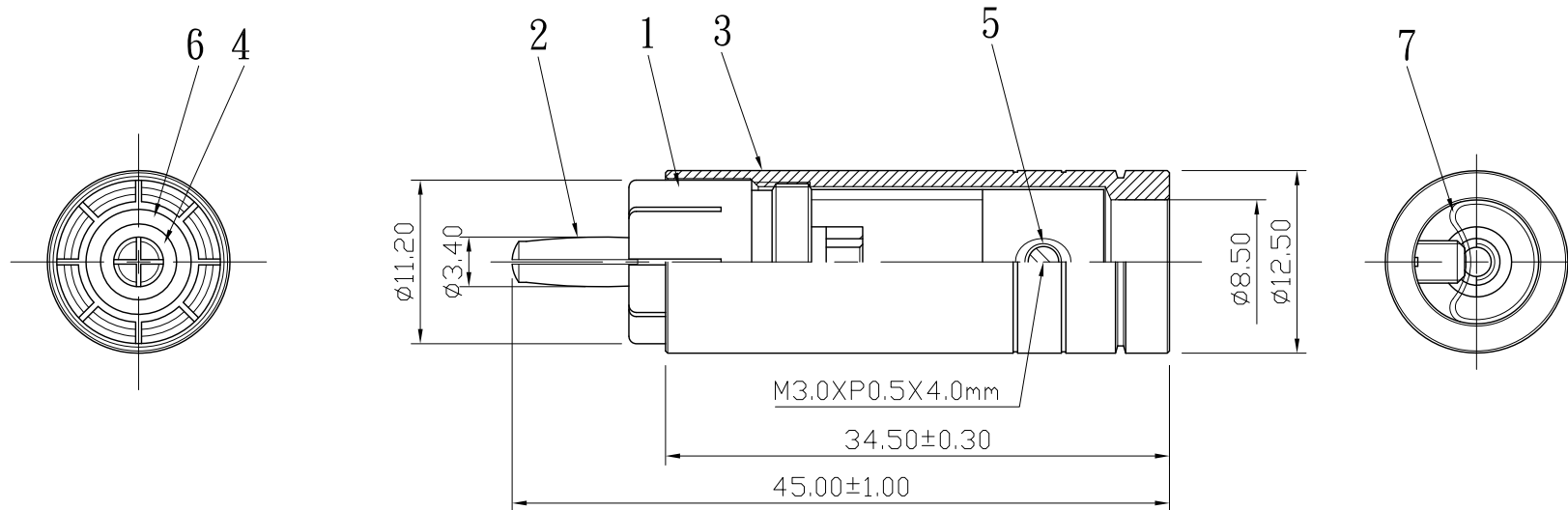



No.	DATE	DESCRIPTION	REV
△	2012. 07. 12	Drawing to renew 圖面更新	A

REMARK : RoHS REQUIREMENT APPLIED
(符合RoHS)



S 1 : 1

7	sleeve	1	PVC	transparent		DIMENSIONS ARE IN MILLIMETERS UNLESS OTHERWISE PECIFIED TOLERANCES (一般公差) 0.5~6 = ±0.2 >6~30 = ±0.4 >30~120 = ±0.6 >120~315 = ±1 >315~1000 = ±1.6 ANGLES(角度) = ±5°	CHECKED	 雅鈦企業有限公司 Aec Connectors Co., Ltd.	
6	ring	1	brass	nickel			DRAWN		TITLE
5	screw	1	brass	nickel	SCREW-103N-M3.0XP0.5X4.0mm		<i>Tina</i>		RCA PLUG
4	insulator	1	PTFE	white			DATE	DRAWING NO.	
3	shell	1	aluminum	blue/black/red anodic treatment			2007. 08. 09	RP-233BE/BK/RDALS-TEF-A-8.5	
2	contact pin	1	brass	silver				FILE NO. DRAWINGVAUDIO\RP\RP-233BE/BK/RDALS-TEF-A-8.5	
1	body	1	brass	silver					
NO.	Description	Unit	Materials	Finish	Drawing No.	SCALE	2 : 1	UNIT	MM