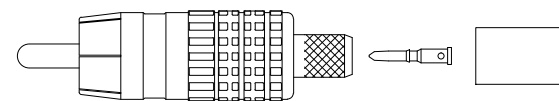
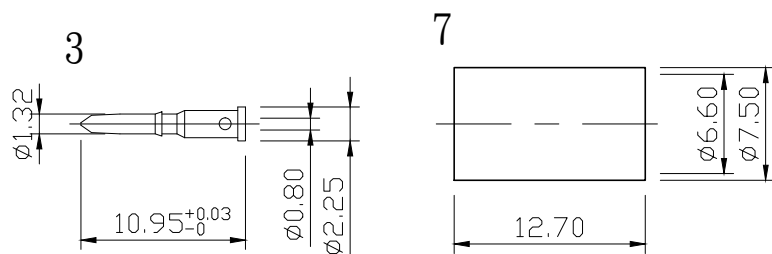
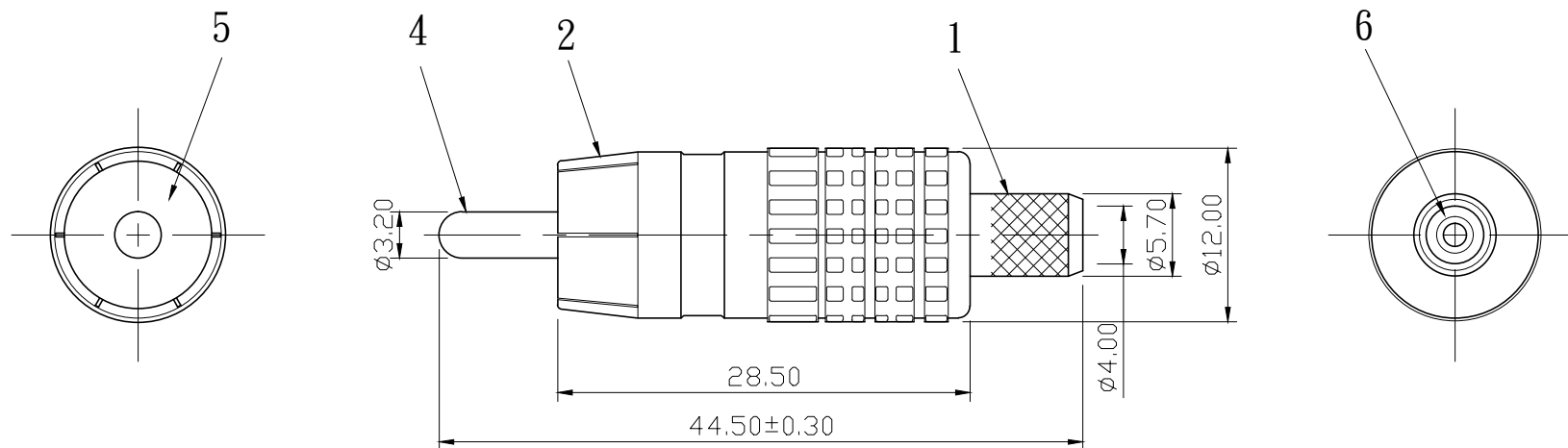



REMARK : RoHS REQUIREMENT APPLIED
(符合RoHS)



S 1 : 1

7	ring	1	brass	nickel		DIMENSIONS ARE IN MILLIMETERS UNLESS OTHERWISE PECIFIED TOLERANCES (一般公差) 0.5~6 = ±0.2 >6~30 = ±0.4 >30~120 = ±0.6 >120~315 = ±1 >315~1000 = ±1.6 ANGLES(角度) = ±5°	CHECKED	 雅鈦企業有限公司 Aec Connectors Co., Ltd.	
6	insulator	1	PTFE	white					DRAWN <i>Tina</i>
5	insulator	1	PTFE	white			DATE 2007. 09. 11		
4	contact pin	1	brass	gold					FILE NO. DRAWING\AUDIO\RP-237NG-TEF(75)-59U
3	contact pin	1	brass	gold					
2	shell	1	brass	nickel					
1	body	1	brass	nickel					
NO.	Description	Unit	Materials	Finish	Drawing No.	SCALE	2 : 1	UNIT	MM