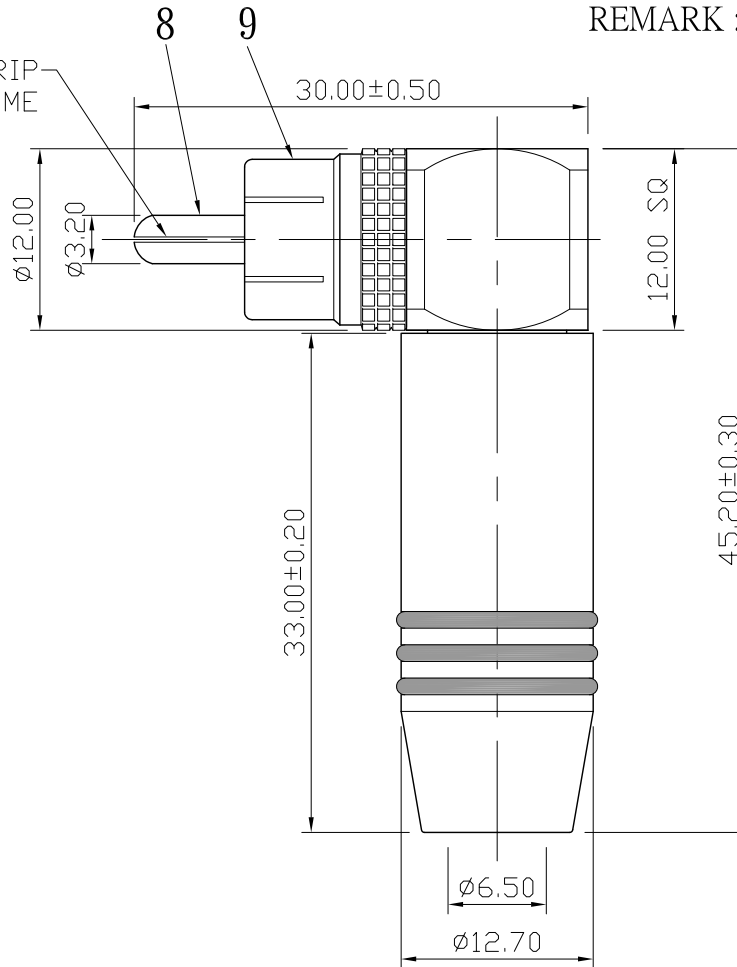
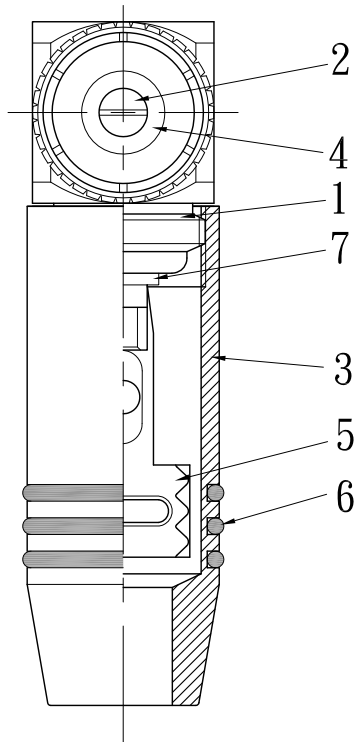
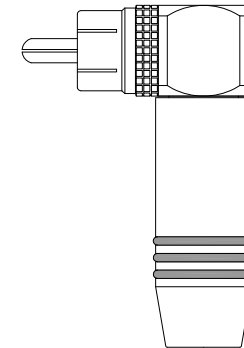


No.	DATE	DESCRIPTION	REV
△	2010. 04. 22	update drawing (圖面更新)	A

THE DIRECTION OF THIS STRIP
CAN'T BE THE SAME



REMARK : RoHS REQUIREMENT APPLIED
(符合RoHS)



S 1 : 1

9	body	1	brass	gold	
8	contact pin	1	brass	gold	
7	insulator	1	PTFE	white	
6	color ring	3	rubber	red/black/blue white/yellow/green	
5	clip	1	brass	gold	
4	insulator	1	PTFE	white	
3	shell	1	brass	satin nickel+topcoat	
2	contact pin	1	brass	gold	
1	body	1	brass	gold	
NO.	Description	Unit	Materials	Finish	Drawing No.

DIMENSIONS ARE IN
MILLIMETERS

UNLESS OTHERWISE SPECIFIED
TOLERANCES
(一般公差)
0.5~6 = ±0.2
>6~30 = ±0.4
>30~120 = ±0.6
>120~315 = ±1
>315~1000 = ±1.6
ANGLES(角度) = ±5°

CHECKED

DRAWN

Jim

DATE

2008. 03. 14



雅鈦企業有限公司
Aec Connectors Co., Ltd.

TITLE

RCA PLUG

DRAWING NO.

RP-242SNG+P-TEF-A-RD/BK/BE/WE/YW/GN-6.5

FILE NO. DRAWING\AUDIO\PRP-242SNG+P-TEF-A-RD/BK/BE/WE/YW/GN-6.5

SCALE 2 : 1 UNIT MM