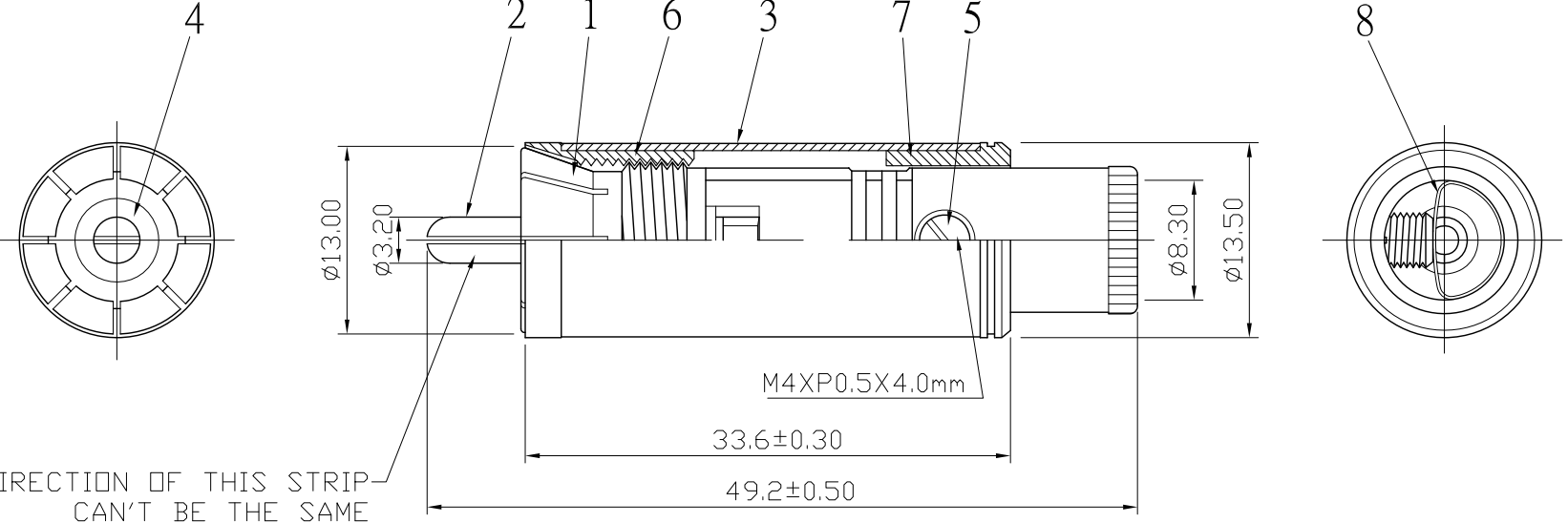


REMARK : RoHS REQUIREMENT APPLIED
(符合RoHS)



S 1 : 1

8	sleeve	1	pvc	white	
7	sleeve	1	brass	gold	
6	ring	1	brass	gold	
5	screw	1	brass	gold	SCREW-104G-M4XP0.5X4.0mm
4	insulator	1	PTFE	white	
3	shell	1	wood	pattern	
2	contact pin	1	brass	gold	
1	body	1	brass	gold	
NO.	Description	Unit	Materials	Finish	Drawing No.

DIMENSIONS ARE IN MILLIMETERS			
UNLESS OTHERWISE SPECIFIED TOLERANCES (一般公差)			
0.5~6	= ±0.2		
>6~30	= ±0.4		
>30~120	= ±0.6		
>120~315	= ±1		
>315~1000	= ±1.6		
ANGLES(角度) = ±5°			
SCALE	2 : 1	UNIT	MM

CHECKED
DRAWN <i>Lala</i>
DATE 2008.01.31



雅鈦企業有限公司
Aec Connectors Co., Ltd.

TITLE	RCA PLUG
DRAWING NO.	RP-3001WDG-TEF-A-8.3
FILE NO.	DRAWING\AUDIO\RP-3001WDG-TEF-A-8.3