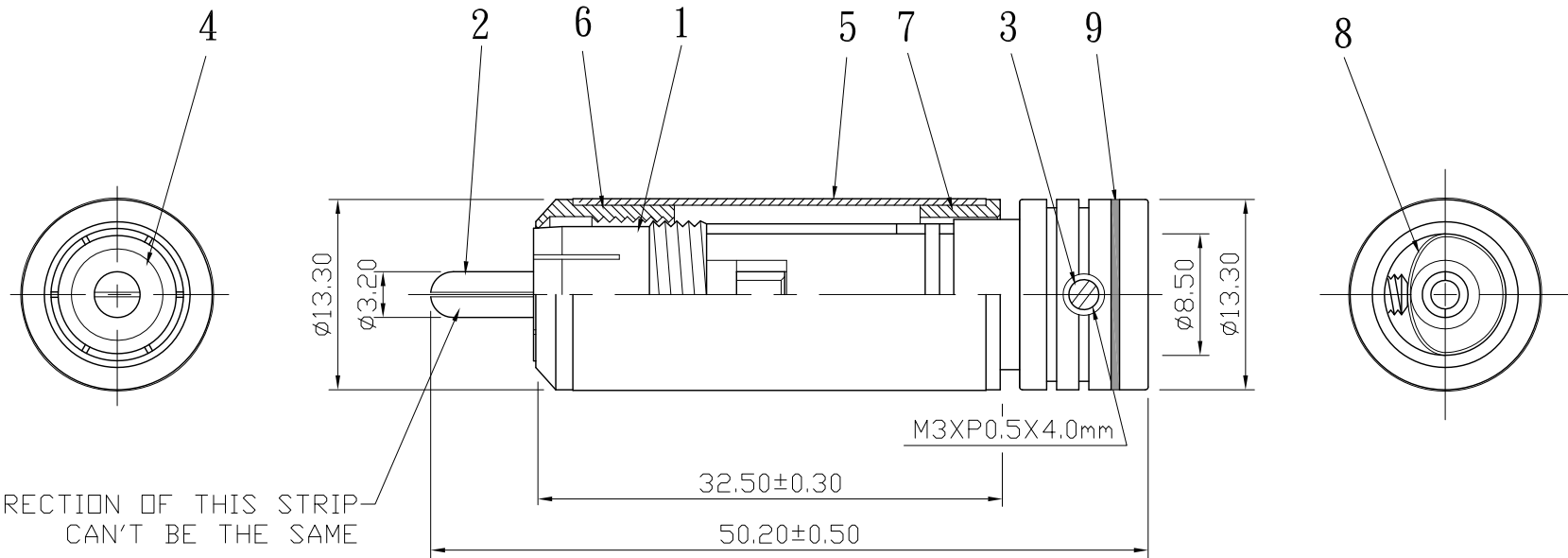


REMARK : RoHS REQUIREMENT APPLIED
(符合RoHS)




S 1 : 1

9	color ring	1	pvc	red/black/blue white/yellow/green	
8	sleeve	1	pvc	transparent	
7	sleeve	1	brass	gold	
6	headlock	1	brass	gold	
5	shell	1	wood	pattern	
4	insulator	1	teflon	white	
3	screw	1	brass	gold	SCREW-103G-M3XP0.5X4.0mm
2	contact pin	1	brass	gold	
1	body	1	brass	gold	
NO.	Description	Unit	Materials	Finish	Drawing No.

DIMENSIONS ARE IN MILLIMETERS			
UNLESS OTHERWISE PECIFIED TOLERANCES (一般公差)			
0.5~6	= ±0.2		
>6~30	= ±0.4		
>30~120	= ±0.6		
>120~315	= ±1		
>315~1000	= ±1.6		
ANGLES(角度) = ±5°			
SCALE	2 : 1	UNIT	MM

CHECKED	
DRAWN	Lala
DATE	2009. 10. 01

 雅鈦企業有限公司 Aec Connectors Co., Ltd.	TITLE	RCA PLUG
	DRAWING NO.	RP-3006WDG-TEF-A-RD/BK/BE/WE/YW/GN-8.5
	FILE NO.	DRAWING\AUDIO\RP-3006WDG-TEF-A-RD/BK/BE/WE/YW/GN-8.5